

ALPINE SERVICE MANUAL

FM/MW/LW/RDS DVD Player

MP3 *MLX*

COMPACT
disc
DIGITAL AUDIO
TEXT

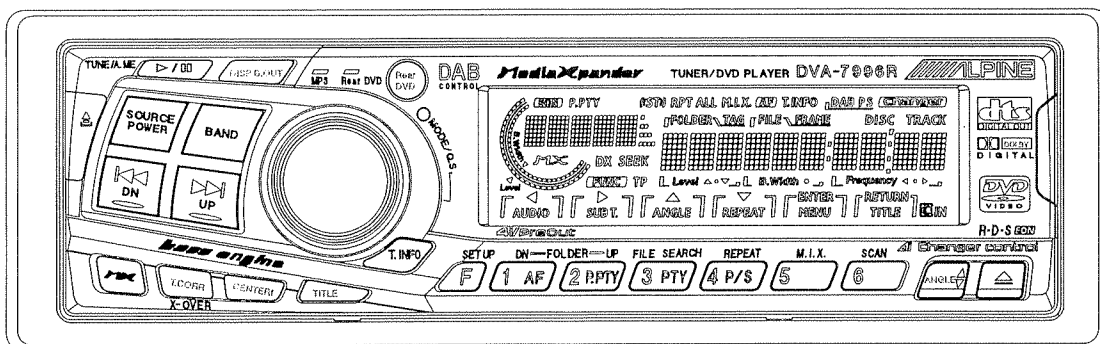
DAB
CONTROL

DVD
VIDEO

COMPACT
disc
DIGITAL VIDEO

DOLBY
DIGITAL

dts
DIGITAL OUT





DVA-7996R

<Cautions for Safe Repair Work>



The following cautions will prevent accidents in the workplace and will ensure safe products.

- The symbols indicate caution is needed to prevent injuries and damage to property.

The symbols and their meanings follow.

	Warning	If you ignore this symbol and handle the product incorrectly or unsafely, serious injury or death may result.
	Caution	If you ignore this symbol and handle the product incorrectly or unsafely, injury or only material damage may result.



- The following symbols indicate two levels of cautions.

	When you see this symbol, you have to be very careful.
	When you see this symbol, you have to follow the instructions there.



Warning

	Do not look squarely into the laser light coming from the pickup. You may lose your sight.		Fuse Caution Always use a designated fuse. Use of an incorrect fuse may result in a fire.
--	--	--	--


Caution

	Do not allow wiring to be caught in the screw/chassis. If wiring is caught in the screw/chassis, it may cause a short circuit, resulting in a fire.		Battery Caution Use the designated battery. Confirm the correct polarity and seat of the battery. An incorrect battery or an improperly connected or seated battery may result in a fire.
---	---	---	---

	High Temperature Caution Touching the heat sink may cause severe burns.		Designated Parts Caution Look up the part list and ensure that only designated parts are used to prevent problems or accidents.
---	---	---	---

	Reverse Power Supply Connections or Misconnections Caution Reverse power supply connections or misconnections may cause ignition problems and smoke may result.		Wiring Caution Ensure that the wiring is correct when rewiring to prevent problems with ignition/breakdown.
---	---	---	---

	Soldering Caution Hot solder from solder splash may cause severe burns.		Wear Gloves Wear gloves to prevent electrical shocks or injury from the end face of the metal.
---	---	---	--

	For the FDA laser standard, the following CAUTION label is stuck on each product. Please be careful for repair.	CAUTION-Laser radiation when open, DO NOT STARE INTO BEAM
---	---	--

Contents

Packing Assembly Parts List	4
Packing Method View	4
Specifications	5~7
Extension Cable	8
Adjustment Procedures	9~11
Block Diagram	12
Parts Layout on P.W.Boards and Wiring Diagram	13~24
Schematic Diagram	25~52
Terminal Voltage of IC/TR	53~68
Description of IC Terminal	69~74
Electrical Parts List	75~96
Exploded View (Cabinet)	97~100
Cabinet Assembly Parts List	101
DVD Deck Mechanism Assembly Parts List	102, 103
Exploded View (DVD Deck Mechanism) (DV36T02B)	104, 105

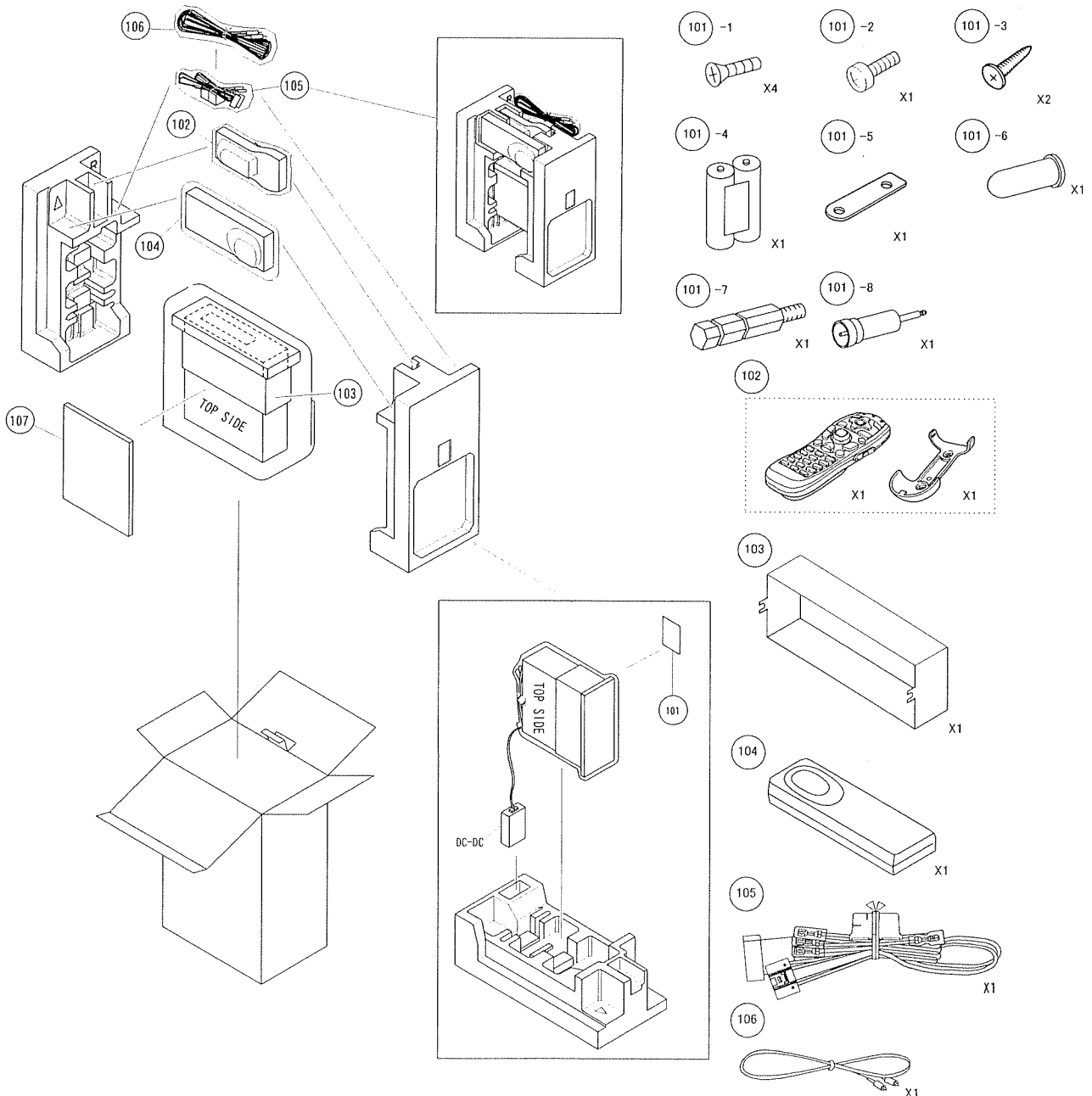
NOTE : Due to continuing product improvement, specifications and designs are subject to change without notice.

Packing Assembly Parts List

Symbol No.	Part No.	Description
101-1	03S72235F13	SCR, MCH M5X8 FLAT
101-2	03S68555F26	SCR, WAVE M1. 7X4
101-3	03S63857F75	SCR, TPG. M3X12
101-4	60T55630W01	BAT, MGN R03 (NB) UM-4
101-5	75A60305Y01	CUSHION, REMOCON
101-6	36A11113W01	CAP, RUBBER (A)
101-7	03A11112W01	BOLT, HEX. M5 (A)

Symbol No.	Part No.	Description
101-8	01T15394Y02	ANT, JASO-ISO
102	01T55446Y02	ASSY, REMOCON RUE4191
103	15D50406W01	CASE, INNER
104	15D50063Y01	CARRYING CASE
105	01T15359Y13	ASSY, WIRE PWR 7899R
106	01T25634Y01	ASSY, WIRE VIDEO
107	68P50520Y48	O/M AOEU

Packing Method View



Specifications

< FM RADIO >

Intermediate Frequency	10.7±0.1MHz
Frequency Range	87.5~108MHz
Usable Sensitivity (Mono, 30dB S/N, at 98.1MHz)	20.2dBf
-3dB Limiting Sensitivity (at 98.1MHz)	23.2dBf
Residual Noise (Ref. 400Hz (NARROW), at 98.1MHz)	28±10dB
S/N Ratio (at 98.1MHz)	Stereo : 55dB Mono : 58dB
Image Rejection (at 106.1MHz)	40dB
IF Rejection (at 90.1MHz)	60dB
Distortion (Input 60dBμ, at 98.1MHz)	1%
Frequency Response (Ref. 400Hz, at 98.1MHz)	100Hz : 0±3dB 10kHz : -10±3dB
Stereo Separation (1kHz, at 98.1MHz)	20dB
PS Sensitivity (at 98.1MHz)	36.2dBf

< MW RADIO >

Intermediate Frequency	1st. : 10.7MHz 2nd. : 450kHz
Frequency Range	531~1,602kHz
Usable Sensitivity (20dB S/N, at 999kHz)	36dB
S/N Ratio (at 999kHz)	44dB
Image Rejection (at 1,404kHz)	50dB
IF Rejection (at 603kHz)	60dB
Distortion (at 999kHz)	1.5%
Frequency Response (Ref. 400Hz, at 999kHz)	100Hz : -3±4dB 2.5kHz : -3+4, -6dB

< LW RADIO >

Intermediate Frequency	1st. : 10.7MHz 2nd. : 450kHz
Frequency Range	153~281kHz
Usable Sensitivity (20dB S/N, at 216kHz)	42dB
S/N Ratio (at 216kHz)	44dB
Image Rejection (at 270kHz)	50dB
IF Rejection (at 162kHz)	60dB
Distortion (at 216kHz)	1.5%
Frequency Response (Ref. 400Hz, at 216kHz)	100Hz : -3±4dB 2.5kHz : -3+4, -6dB

DVA-7996R

< CD SECTION >

System	Optical (Compact Disc System)
Channel Balance (1kHz)	TCD-782 : 0±3dB SCD-4419 (FOLDER4-128kbps) : 0±3dB
Distortion (1kHz)	TCD-782 : 0.3% SCD-4419 (FOLDER4-128kbps) : 0.3%
Frequency Response (Ref. 1kHz)	TCD-782 : 17Hz : 0±3dB 127Hz : 0±2dB 10.007kHz : 0±2dB 19.997kHz : -2±4dB SCD-4419 (FOLDER4-128kbps) : 17Hz : 0±3dB 127Hz : 0±2dB 10.007kHz : 0±2dB 19.997kHz : -2±4dB
S/N Ratio	TCD-782 : 80dB SCD-4419 (FOLDER4-128kbps) : 80dB
Separation	TCD-782 : 65dB SCD-4419 (FOLDER4-128kbps) : 65dB
De-Emphasis (Ref. 1kHz)	TCD-782 : 4kHz : -20±3dB 16kHz : -20±3dB

< AUDIO >

Output Level (1kHz)	DVD (TDV-540A) : 1.2±0.2mVrms
Channel Balance (1kHz)	VCD (HLV-402) : 0±3dB DVD (TDV-540A) : 0±3dB
T.H.D. (1kHz)	VCD (HLV-402) : 0.3% DVD (TDV-540A) : 0.3%
Frequency Response (1kHz)	VCD (HLV-402) : 20Hz : 0±3dB 100Hz : 0±2dB 10kHz : 0±2dB 20kHz : -2±4dB DVD (TDV-540A, 48kHz sample) : 17Hz : 0±3dB 127Hz : 0±2dB 10.007kHz : 0±2dB 19.997kHz : -2±4dB DVD (TDV-540A, 96kHz sample) : 17Hz : -3±3dB 127Hz : 0±2dB 10.007kHz : 0±2dB 43.997kHz : -3±3dB
S/N Ratio (1kHz)	VCD (HLV-402) : 80dB DVD (TDV-540A) : 80dB
Separation (1kHz)	VCD (HLV-402) : 65dB DVD (TDV-540) : 65dB

DVA-7996R

< VIDEO >

Signal system PAL System
Flash signal Output Voltage VCD (HLV-402) : 1±0.1V
DVD (JVC V-509) : 1±0.1V
Flash signal Frequency Response VCD (HLV-402) : 2MHz : -2±2dB
DVD (JVC V-509) : 6MHz : -4±2dB
Flash signal S/N Ratio VCD (HLV-402) : 45dB
DVD (JVC V-509) : 55dB

< Pickup >

Wave Length 655nm
Laser Power CLASS II

< GENERAL >

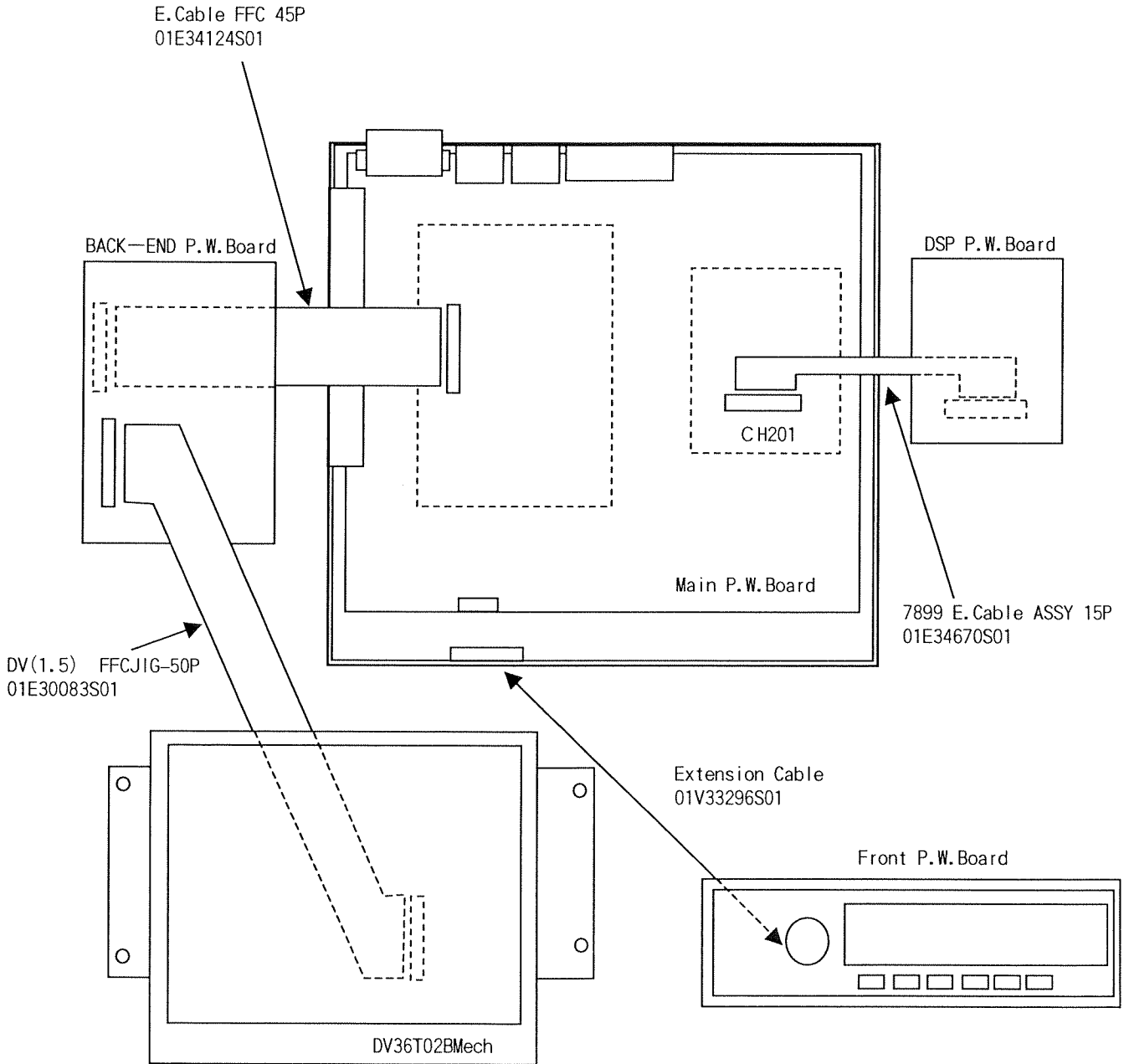
Power Supply DC14.4V
Pre Output (TCD-782 (0dB, 1kHz), T.H.D. 1%,
(FRONT.REAR.SUB-W +15STEP)) /Impedance 4V±2.5dBV/ch/10kohm
Dimensions (W×H×D) Nose : 188×58×25.8mm
Chassis : 178×50×166.5mm
Weight 2kg

NOTE : Due to Continuing product improvement, specifications and designs are subject to change without notice.

DVA-7996R

Extension Cable

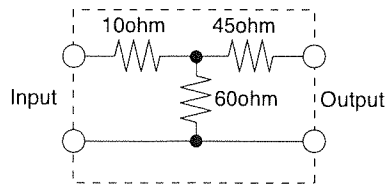
● Always connect the Extension Cable to the mecha when making checks of voltage.



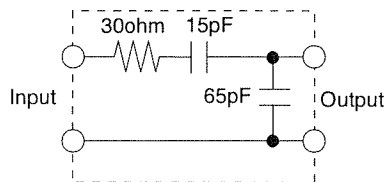
Adjustment Procedures

1. FM/AM SECTION

(1) Dummy Antenna Circuit



For 50 ohm FM Signal Generator Figure 1



For 50 ohm AM Signal Generator Figure 2

(2) Connections

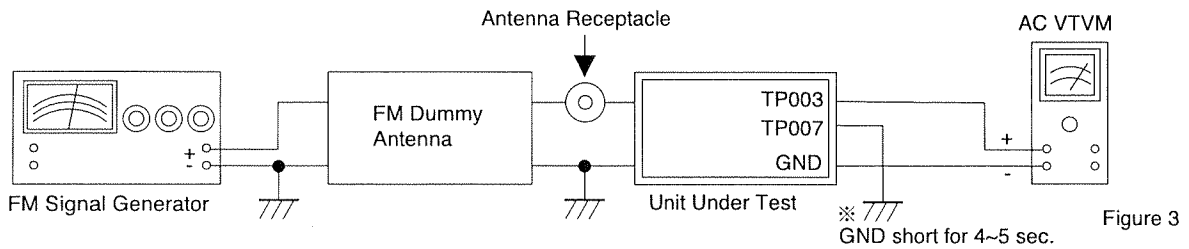


Figure 3

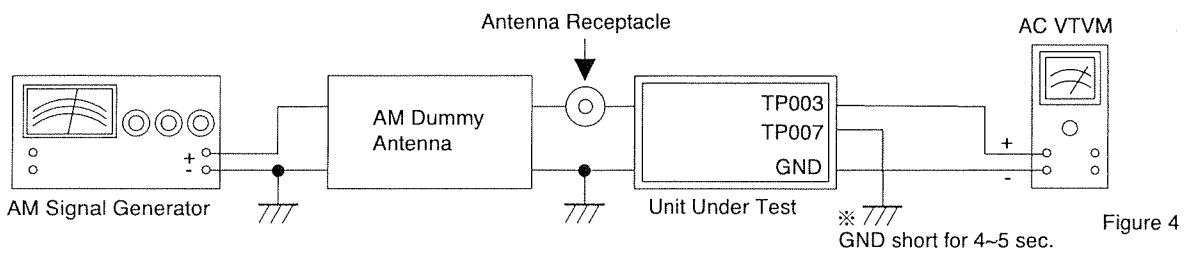


Figure 4

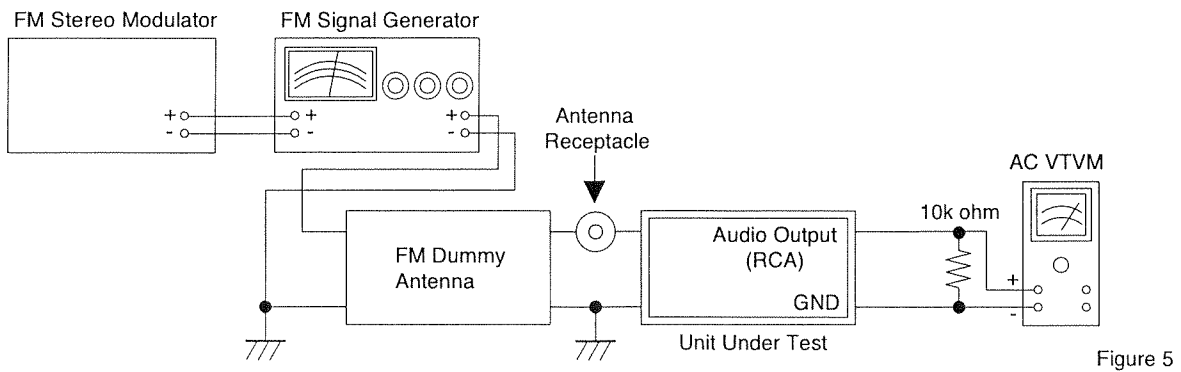


Figure 5

DVA-7996R

(3) Control Settings

Power Switch ON Band Switch FM/AM
 Fader Control Center Position MX Non Effect
 Balance Control Center Position T-CORR Non Effect
 LPS OFF Others OFF

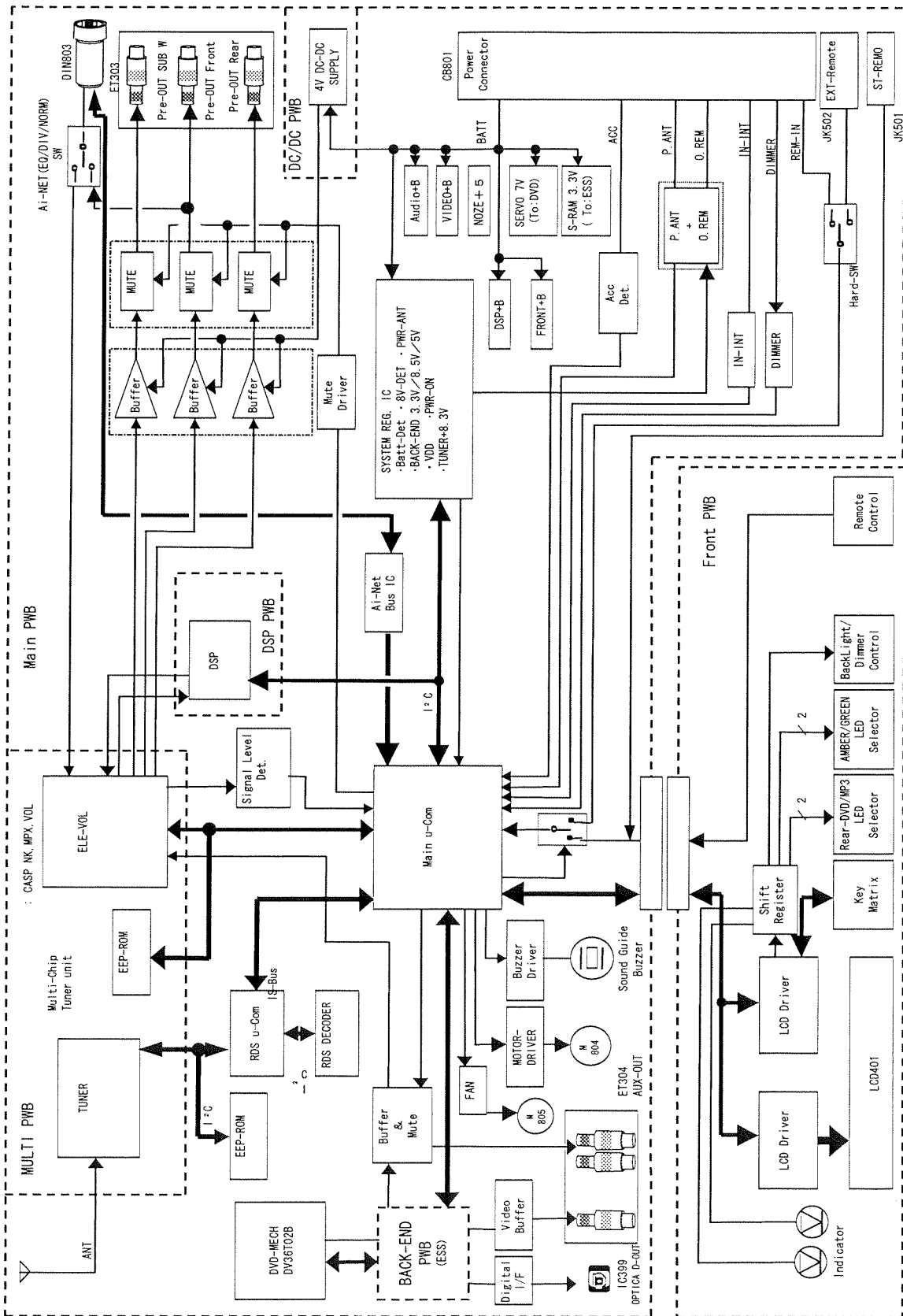
(4) Adjustment Procedures

Step	Description	Connection	Signal Generator	Dial Control	Test Point / P.W.Board Coordinates	Adjustment
1	Signal Meter Auto Adjustment (FM)	Figure 3	(1) 87.7MHz , 26dBμ (Mod. OFF)	87.7MHz	TP003 (1-D) TP007 (3-B)	Auto Adjustment : After setting up of Signal Generator, short GND and TP007 (Pull-Down) for 4~5seconds. (SPEC) 1.5±0.1V → OK (SPEC) others 1.5±0.1V → NG NOTE : NG : Proceed same Auto Adjustment of step (1) under step (2).
			(2) 87.7MHz , 21~23dBμ (Mod. OFF)	87.7MHz	TP003 (1-D) TP007 (3-B)	Proceed same Auto Adjustment of step (1) under step (2).
			(3) 87.7MHz , 26dBμ (Mod. OFF)	87.7MHz	TP003 (1-D) TP007 (3-B)	Proceed same Auto Adjustment of step (1) under step (3).
2	Signal Meter Auto Adjustment (MW)	Figure 4	(1) 1,000kHz , 33dBμ (Mod. OFF)	1,000kHz	TP003 (1-D) TP007 (3-B)	Auto Adjustment : After setting up of Signal Generator, short GND and TP007(Pull-Down) for 4~5 seconds. (SPEC) 1.0±0.1V → OK (SPEC) others 1.0±0.1V → NG NOTE : NG : Proceed same Auto Adjustment of step (1) under step (2).
			(2) 1,000kHz , 28~30dBμ (Mod. OFF)	1,000kHz	TP003 (1-D) TP007 (3-B)	Proceed same Auto Adjustment of step (1) under step (2).
			(3) 1,000kHz , 33dBμ (Mod. OFF)	1,000kHz	TP003 (1-D) TP007 (3-B)	Proceed same Auto Adjustment of step (1) under step (3).

Step	Description	Connection	Signal Generator	Dial Control	Test Point / P.W.Board Coordinates	Adjustment	
3	Signal Meter Auto Adjustment (LW)	Figure 4	(1)	216kHz , 33dB μ (Mod. OFF)	216kHz	TP003 (1-D) TP007 (3-B)	Auto Adjustment : After setting up of Signal Generator, short GND and TP007Pull-Down) for 4~5 seconds. (SPEC) 1.0 \pm 0.1V \rightarrow OK (SPEC) others 1.0 \pm 0.1V \rightarrow NG NOTE : NG : Proceed same Auto Adjustment of step (1) under step (2).
			(2)	216kHz , 28~30dB μ (Mod. OFF)	216kHz	TP003 (1-D) TP007 (3-B)	Proceed same Auto Adjustment of step (1) under step (2).
			(3)	216kHz , 33dB μ (Mod. OFF)	216kHz	TP003 (1-D) TP007 (3-B)	Proceed same Auto Adjustment of step (1) under step (3).
4	FM ST Separation (Roll OFF) Adjustment	Figure 5	(1)	—	—	—	Set up of Adjustment Mode : Push [SOURCE/POWER] + [ANGLE] at the same time.
			(2)	98.1MHz, 72dB μ (Stereo, 1kHz, Lch only)	98.1MHz	Audio Output (RCA)	Push Preset Switches (1~5), and observe value of separation. Select Preset Switch of maximum separation. (SPEC) : separation : more than 25dB.
			(3)	—	—	—	Cancel Adjustment Mode : Push [SOURCE/POWER] + [ANGLE] at the same time.

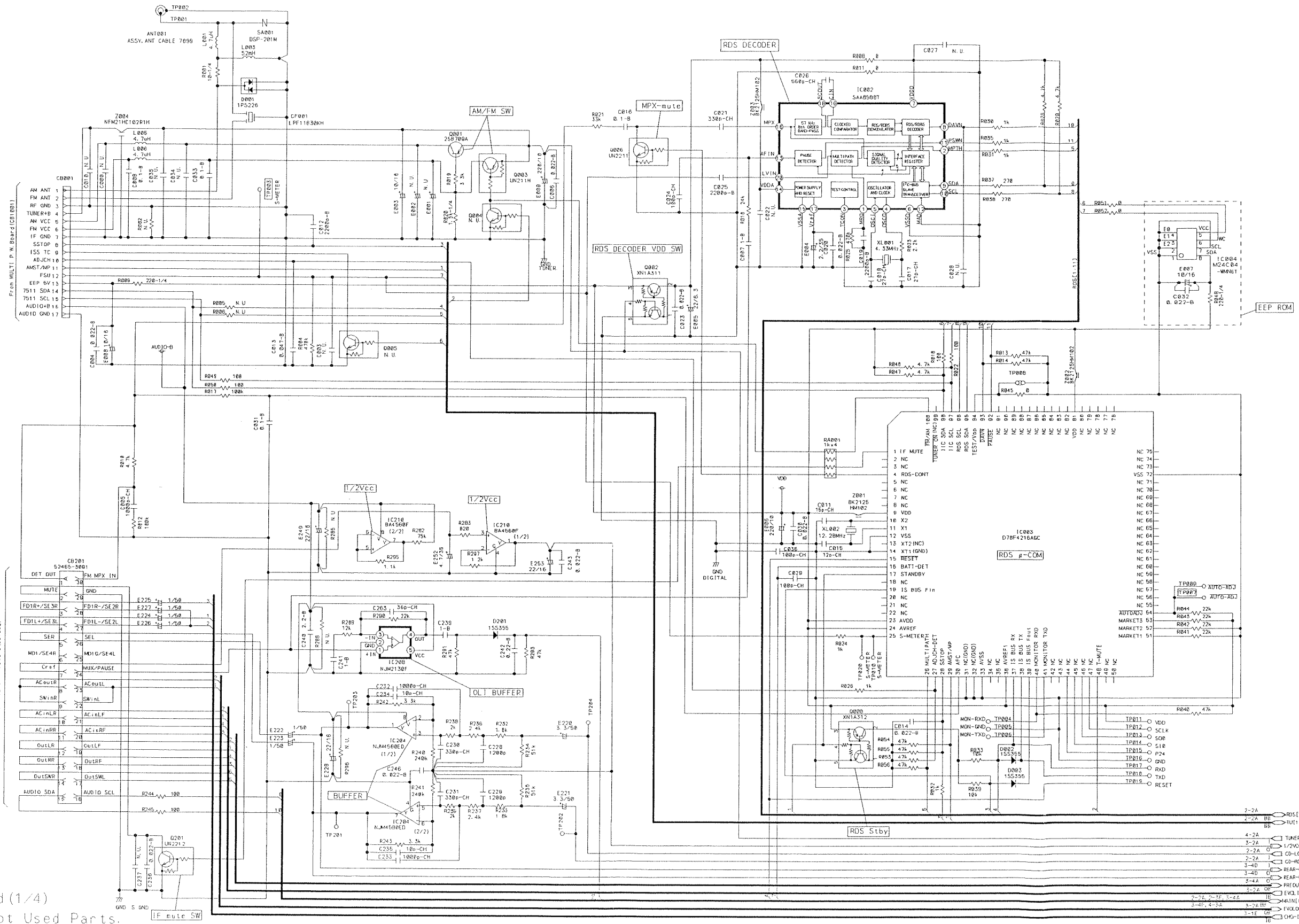
DVA-7996R

Block Diagram

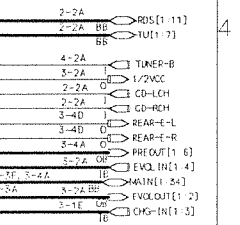


Schematic Diagram (1/14)

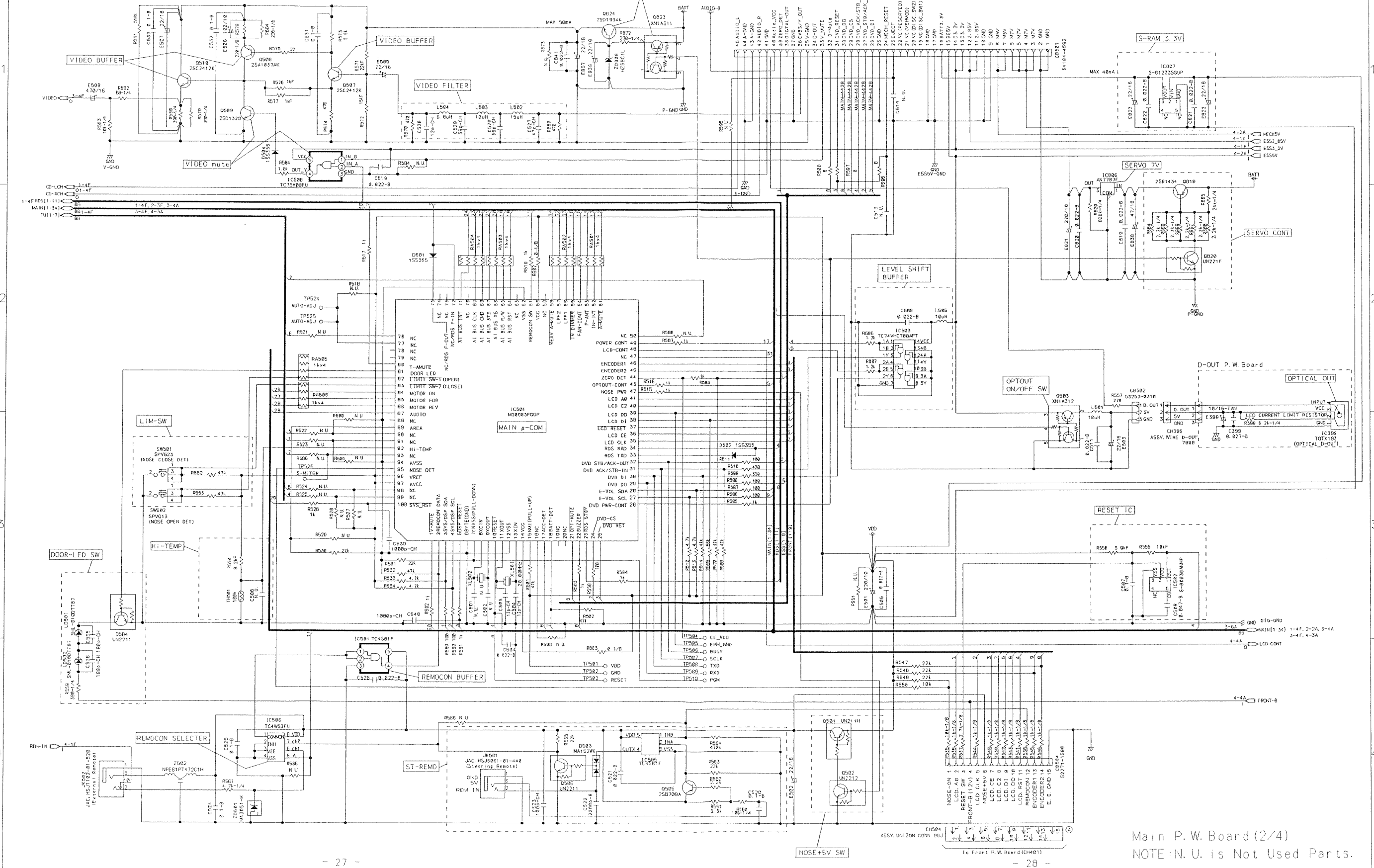
DVA-7996R



Main P.W. Board (1/4)
NOTE: N. U. is Not Used Parts.



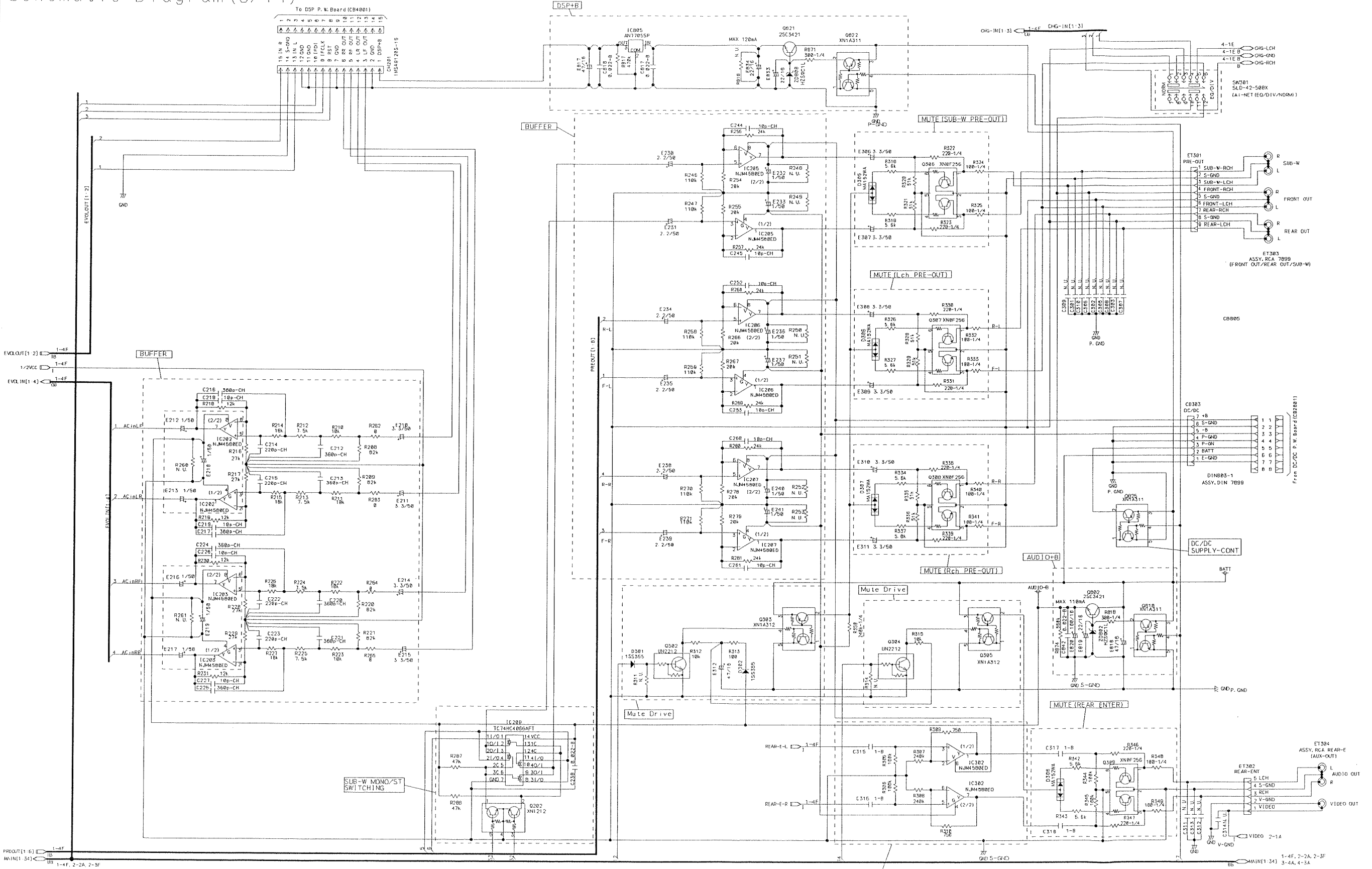
DVA-7996R
Schematic Diagram (2/14)



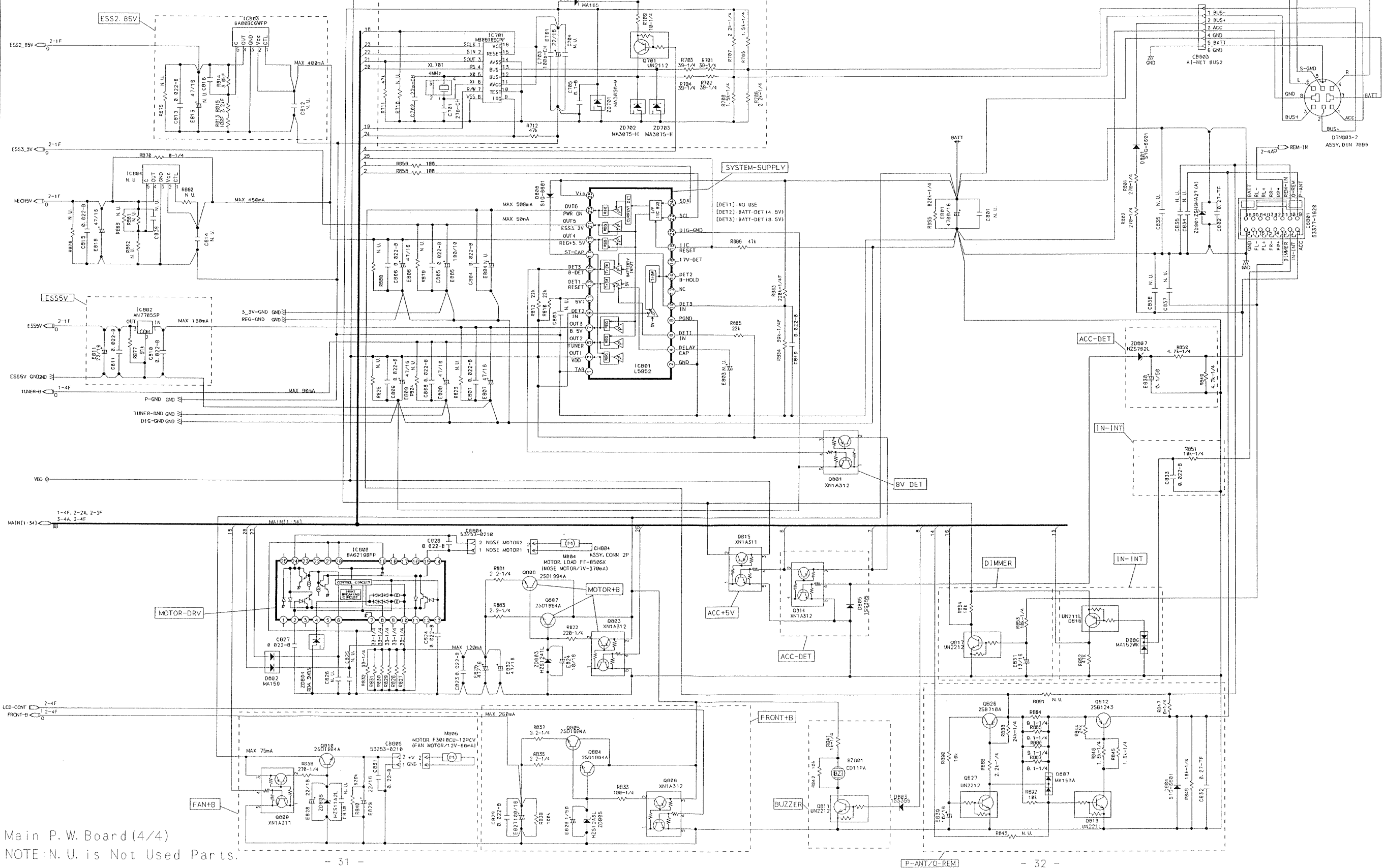
Main P.W. Board (2/4)
NOTE: N.U. is Not Used Parts.

Schematic Diagram (3/14)

DVA-7996R



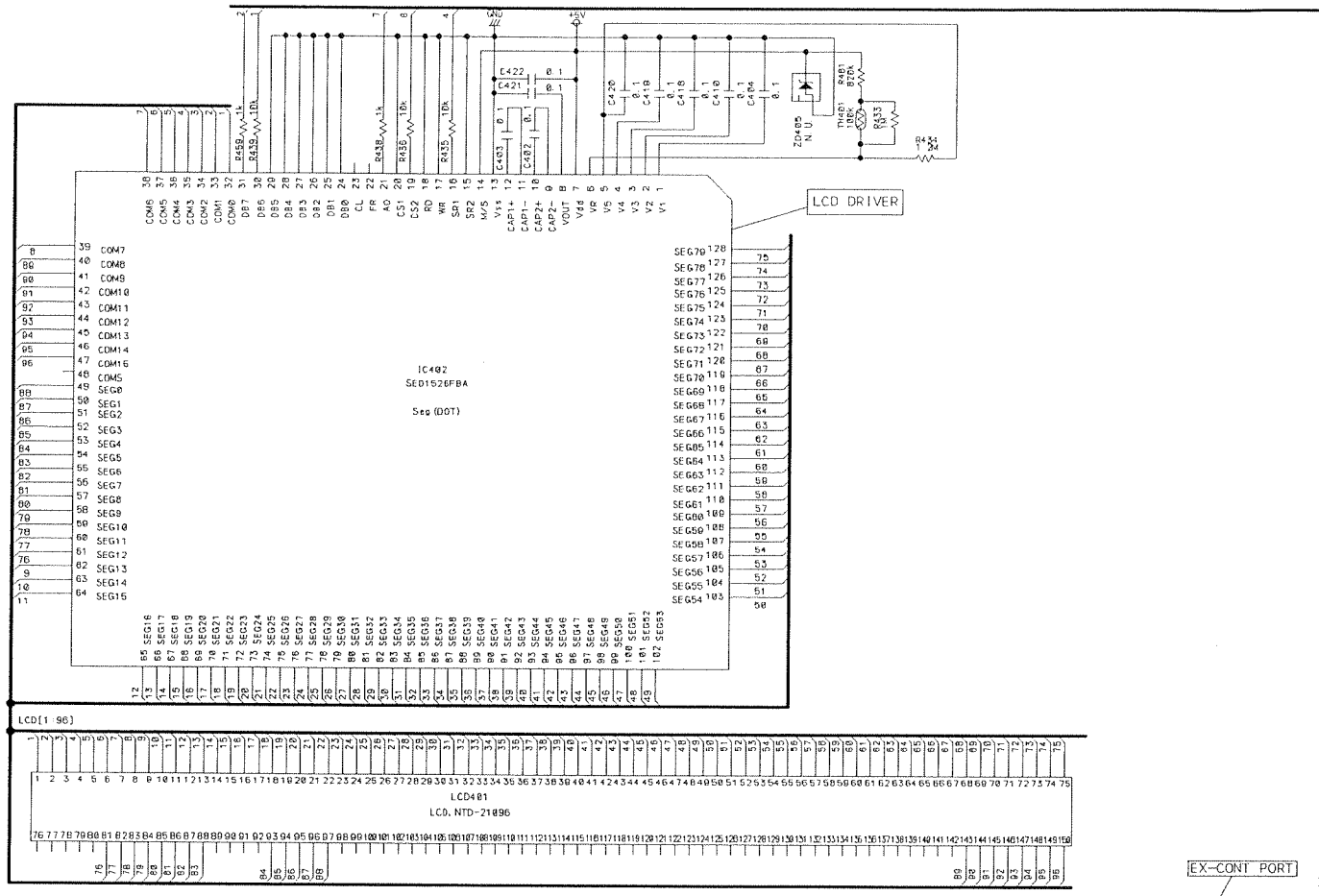
DVA-7996R
Schematic Diagram (4/14)



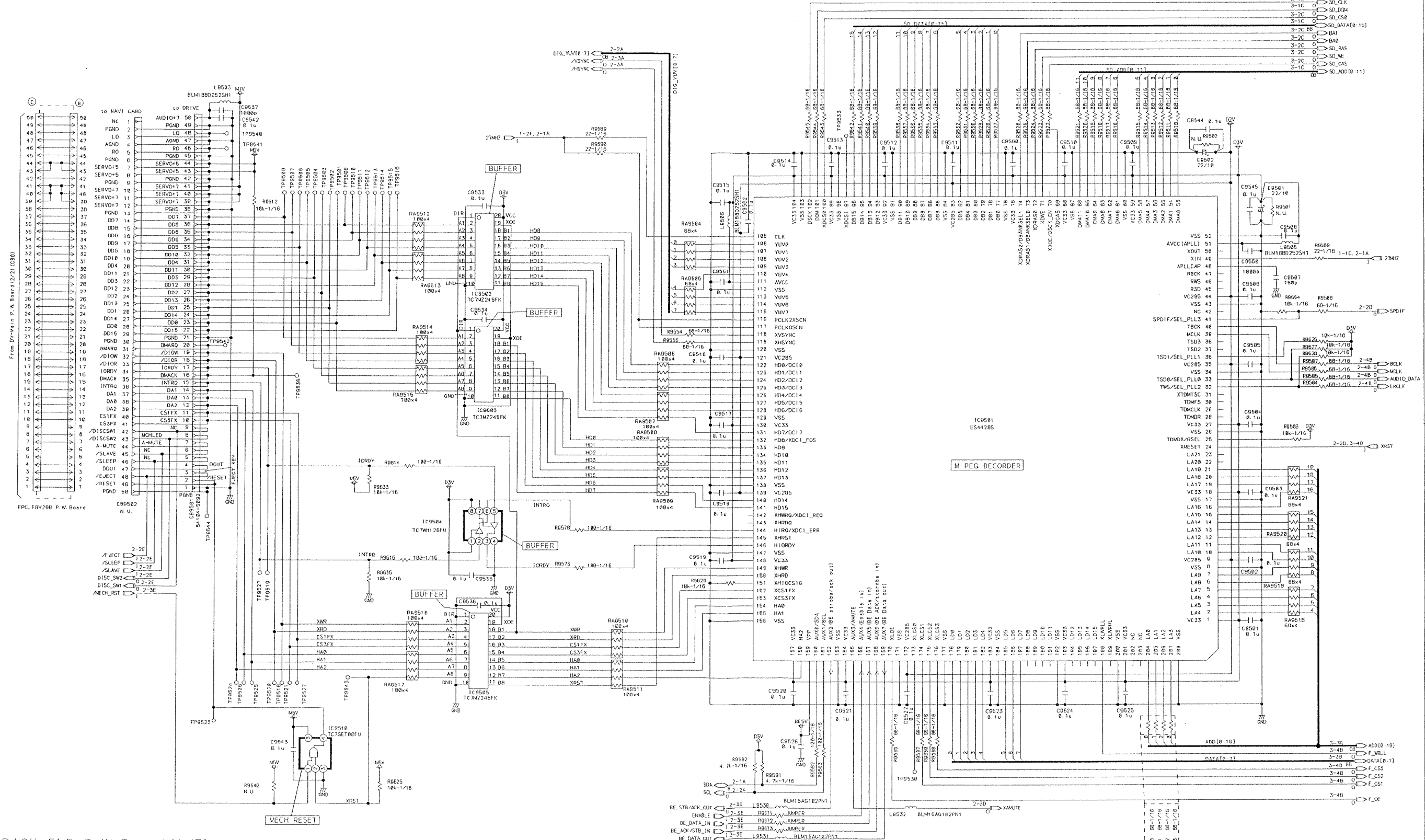
Main P.W. Board (4/4)
NOTE: N. U. is Not Used Parts.

Schematic Diagram (5/14)

DVA-7996R



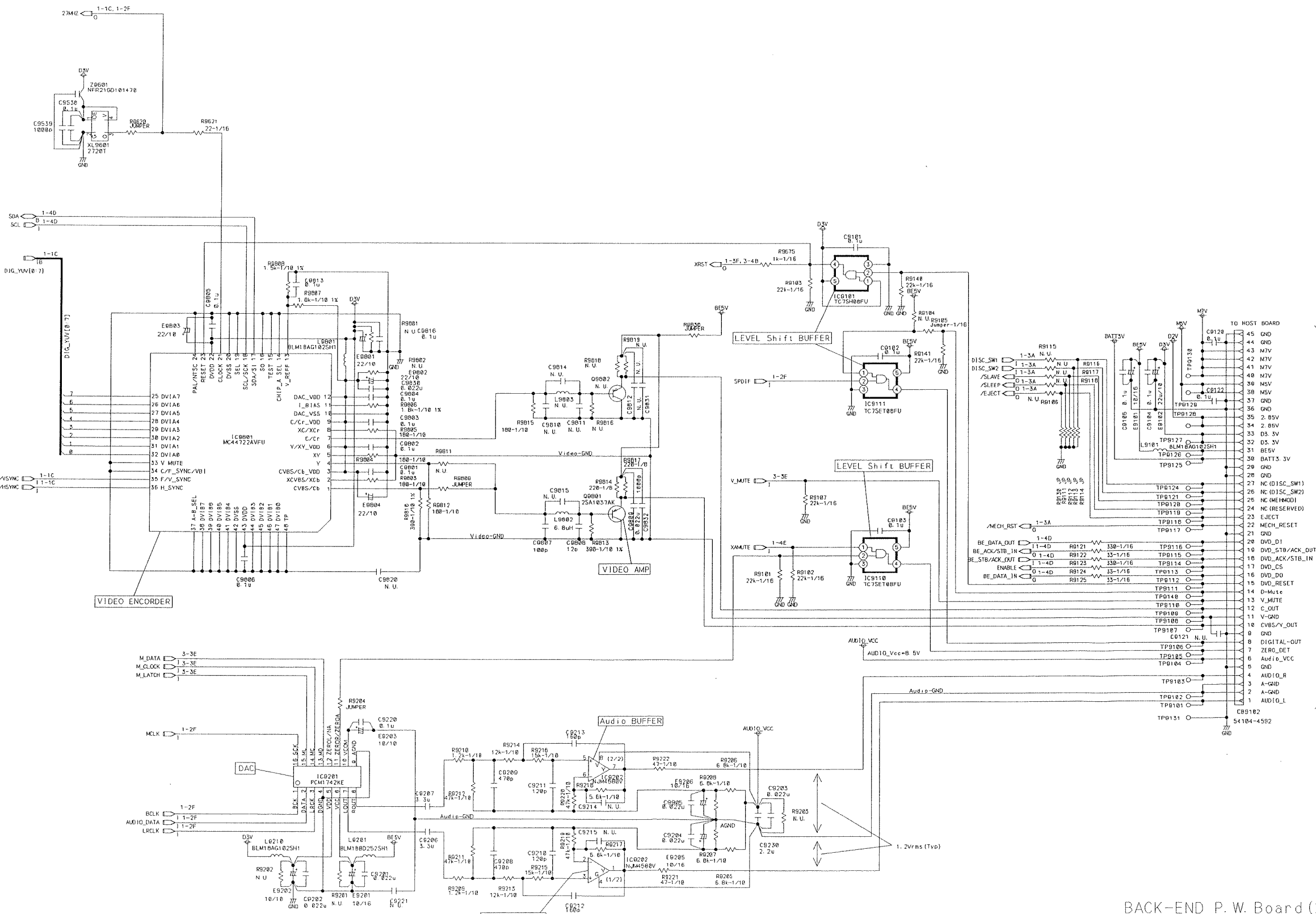
DVA-7996R
Schematic Diagram (6/14)



BACK-END P.W. Board (1/3)
MPEG Block
NOTE: N.U. is Not Used Parts.

Schematic Diagram (7/14)

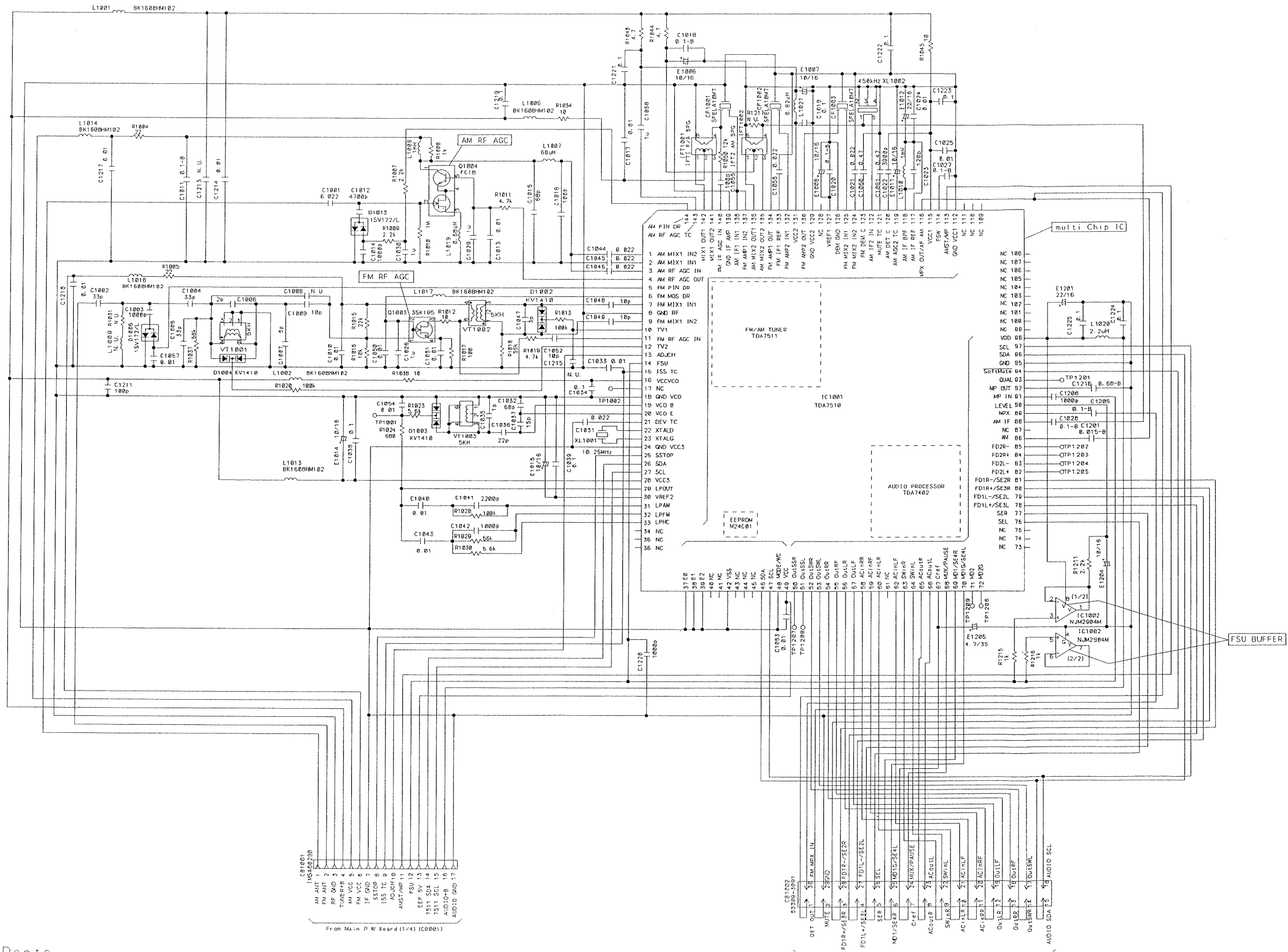
DVA-7996R



BACK-END P.W. Board (2/3)
 A/V I/F Block
 NOTE: N.U. is Not Used Parts.

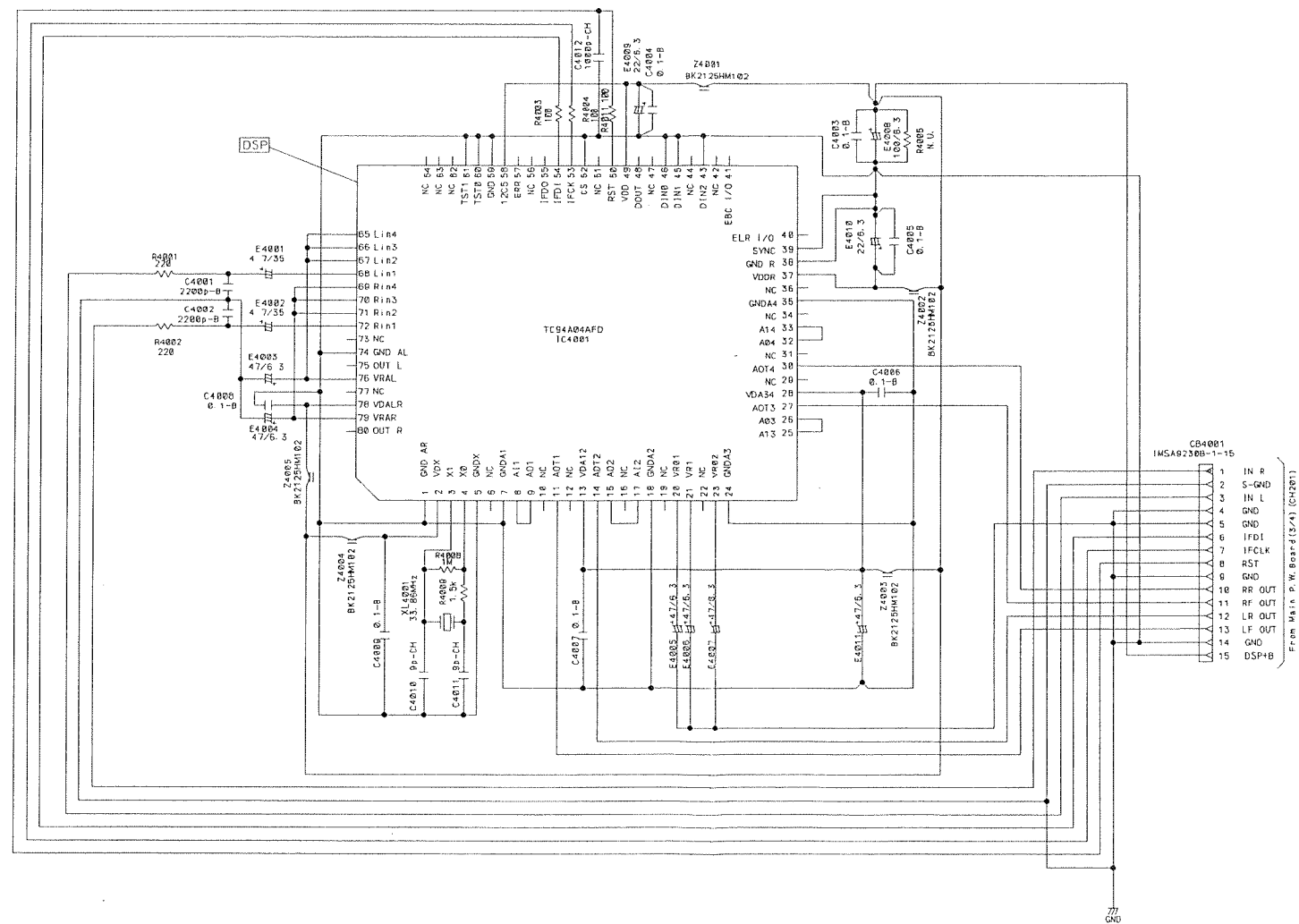
Schematic Diagram (9/14)

DVA-7996R



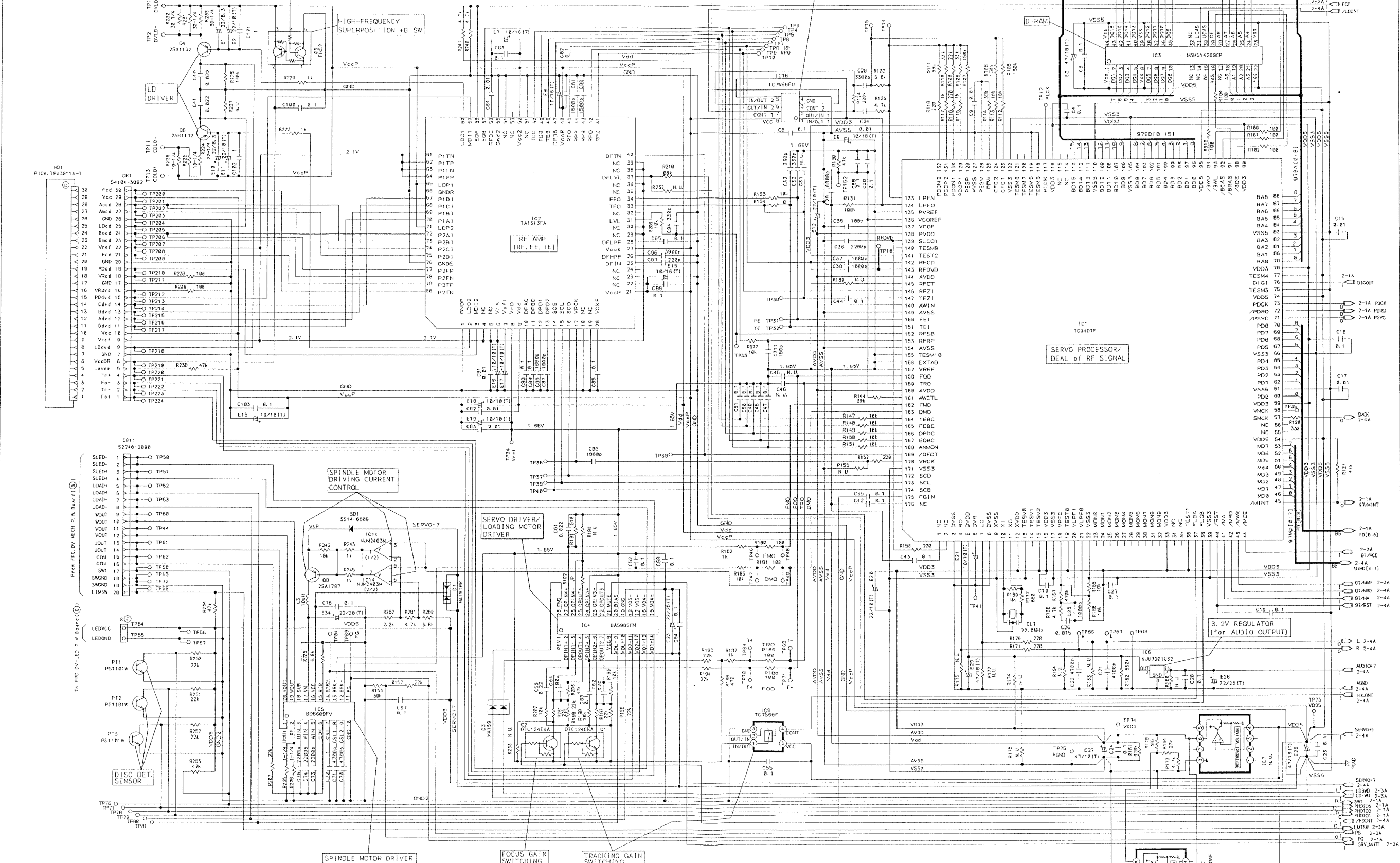
MULTI P. W. Board
NOTE: N. U. is Not Used Parts.

DVA-7996R
Schematic Diagram (10/14)



DSP P. W. Board

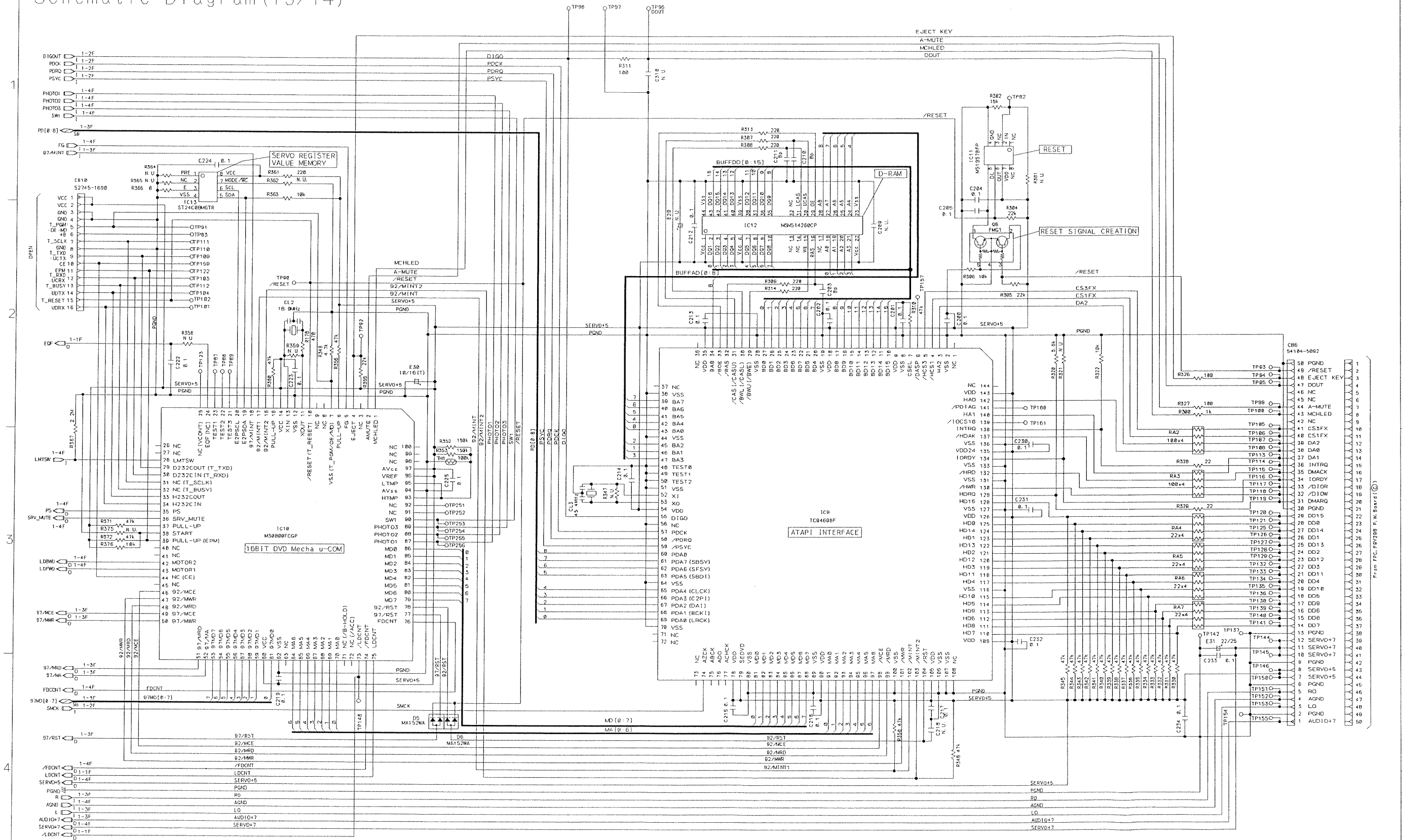
DVA-7996R
Schematic Diagram (12/14)



DV-Main P.W. Board (1/2)
NOTE: N.U. is Not Used Parts.

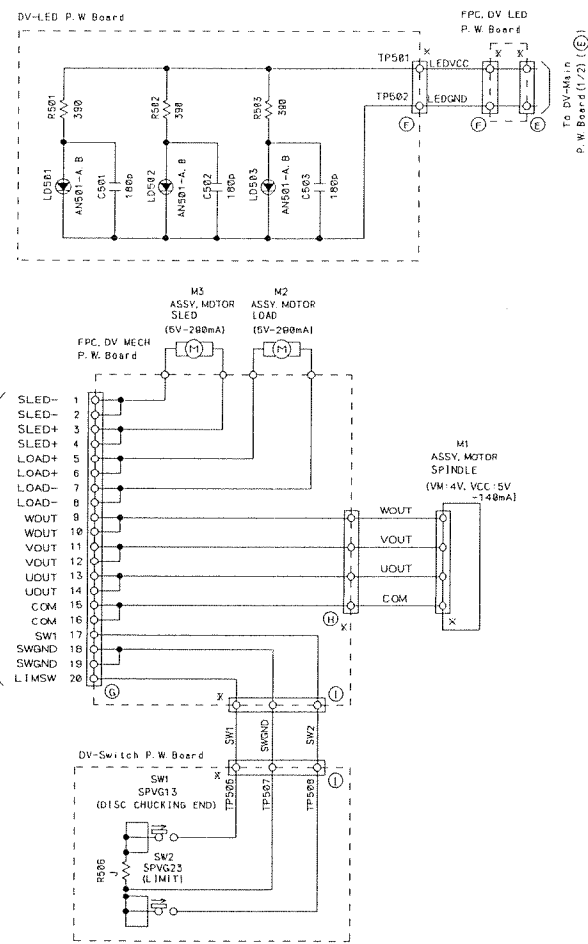
Schematic Diagram (13/14)

DVA-7996R



DV-Main P.W. Board (2/2)
NOTE: N. U. is Not Used Parts.

DVA-7996R
Schematic Diagram (14/14)



Terminal Voltage of IC/TR

IC002					
1	0.03	8	4.77	15	0.00
2	0.03	9	PS	16	2.39
3	0.00	10	PS	17	2.40
4	CLK	11	4.77	18	2.41
5	CLK	12	0.00	19	2.37
6	0.00	13	2.41	20	2.40
7	4.78	14	4.78		

IC004			
1	0.00	5	4.91
2	0.00	6	4.91
3	0.00	7	0.00
4	0.00	8	4.91

IC003									
1	0.02	21	0.03	41	4.92	61	0	81	4.92
2	0	22	0.03	42	0	62	0	82	0.02
3	0.02	23	4.91	43	0	63	0	83	0.02
4	0.02	24	4.92	44	0	64	0	84	0.02
5	4.91	25	0.5	45	0	65	0	85	0.02
6	0.03	26	0.04	46	0	66	0	86	0.02
7	0.02	27	0.11	47	0	67	0	87	0.02
8	0.02	28	1.3	48	4.92	68	0	88	0.02
9	4.91	29	0.08	49	0	69	0	89	0.02
10	CLK	30	2.97	50	0	70	0	90	0.02
11	CLK	31	0	51	0	71	0	91	0.02
12	0.01	32	0	52	0	72	0	92	4.69
13	4.91	33	0	53	4.92	73	0	93	4.69
14	0.01	34	0	54	4.92	74	0	94	0
15	4.91	35	0	55	0	75	0	95	4.78
16	4.89	36	4.92	56	0	76	0	96	4.78
17	4.7	37	4.91	57	0	77	0	97	4.92
18	0.03	38	4.92	58	0	78	0.02	98	4.92
19	4.91	39	4.92	59	0	79	0.02	99	0
20	0.03	40	4.9	60	0	80	0.02	100	0.15

IC202	
1	4.38
2	4.37
3	4.32
4	0.00
5	4.33
6	4.37
7	4.38
8	8.83

IC203	
1	4.38
2	4.37
3	4.32
4	0.00
5	4.32
6	4.37
7	4.38
8	8.84

IC204	
1	4.38
2	4.37
3	4.36
4	0.00
5	4.36
6	4.37
7	4.38
8	8.86

IC205	
1	0.00
2	0.00
3	0.00
4	-8.96
5	0.00
6	0.00
7	0.00
8	8.94

IC206			
1	0.00	5	0.00
2	0.00	6	0.00
3	0.00	7	0.00
4	-8.96	8	8.94

IC207			
1	0.00	5	0.00
2	0.00	6	0.00
3	0.00	7	0.00
4	-8.96	8	8.94

DVA-7996R

IC208	
1	0.00
2	0.00
3	13.97
4	-0.97
5	13.90

IC209			
1	4.32	8	4.35
2	4.33	9	4.35
3	4.33	10	4.35
4	4.32	11	4.35
5	0.00	12	8.77
6	0.00	13	8.78
7	0.00	14	8.82

IC210	
1	4.37
2	4.37
3	4.37
4	0.00
5	8.78
6	8.79
7	8.79
8	8.86

IC302			
1	0.00	5	0.00
2	0.00	6	0.00
3	0.00	7	0.00
4	-8.96	8	8.94

IC399	
1	2.57
2	4.91
3	2.21
4	0.05

IC403	
1	4.71
2	4.50
3	0.00
4	0.00

IC402									
1	3.19	27	0.00	53	PS	79	PS	105	PS
2	1.53	28	0.00	54	PS	80	PS	106	PS
3	-0.08	29	0.00	55	PS	81	PS	107	PS
4	-1.73	30	PS	56	PS	82	PS	108	PS
5	-3.36	31	PS	57	PS	83	PS	109	PS
6	1.81	32	PS	58	PS	84	PS	110	PS
7	4.83	33	PS	59	PS	85	PS	111	PS
8	-9.38	34	PS	60	PS	86	PS	112	PS
9	-7.04	35	PS	61	PS	87	PS	113	PS
10	2.42	36	PS	62	PS	88	PS	114	PS
11	-2.32	37	PS	63	PS	89	PS	115	PS
12	2.42	38	PS	64	PS	90	PS	116	PS
13	0.00	39	PS	65	PS	91	PS	117	PS
14	4.83	40	PS	66	PS	92	PS	118	PS
15	0.00	41	PS	67	PS	93	PS	119	PS
16	4.76	42	PS	68	PS	94	PS	120	PS
17	0.00	43	PS	69	PS	95	PS	121	PS
18	0.00	44	PS	70	PS	96	PS	122	PS
19	PS	45	PS	71	PS	97	PS	123	PS
20	0.00	46	PS	72	PS	98	PS	124	PS
21	PS	47	PS	73	PS	99	PS	125	PS
22	PS	48	PS	74	PS	100	PS	126	PS
23	PS	49	PS	75	PS	101	PS	127	PS
24	0.00	50	PS	76	PS	102	PS	128	PS
25	0.00	51	PS	77	PS	103	PS		
26	0.00	52	PS	78	PS	104	PS		

IC404								
1	4.80	AMBER	7	4.81	REAR DVD	13	0.00	
2	4.77		8	0.00		14	PS	
3	4.81	AMBER	9	0.00		15	4.81	MP3
4	4.74		10	4.77		16	4.83	
5	4.80		11	PS				
6	4.80		12	0.00				

IC401									
1	0.00	17	PS	33	PS	49	PS	65	0.00
2	0.00	18	PS	34	PS	50	PS	66	0.00
3	0.00	19	PS	35	PS	51	PS	67	0.00
4	PS	20	PS	36	PS	52	PS	68	0.00
5	PS	21	PS	37	PS	53	PS	69	0.00
6	PS	22	PS	38	PS	54	PS	70	4.83
7	PS	23	PS	39	PS	55	PS	71	3.22
8	PS	24	PS	40	PS	56	PS	72	0.00
9	PS	25	PS	41	PS	57	PS	73	0.00
10	PS	26	PS	42	PS	58	PS	74	0.00
11	PS	27	PS	43	PS	59	PS	75	CLK
12	PS	28	PS	44	PS	60	PS	76	4.77
13	PS	29	PS	45	PS	61	4.83	77	4.52
14	PS	30	PS	46	PS	62	4.83	78	PS
15	PS	31	PS	47	PS	63	4.83	79	PS
16	PS	32	PS	48	PS	64	4.83	80	PS

IC501									
1	4.9			35	PS		69	PS	CHG
2	4.84			36	PS		70	0	
3	4.92			37	4.91		71	4.83	
4	4.92			38	4.38		72	4.91	
5	4.9			39	PS		73	0.03	
6	0			40	PS		74	0.03	
7	0			41	PS		75	4.91	
8	CLK			42	4.9		76	0.03	
9	CLK			43	4.9	OPT OUT : ON	77	0.03	
10	4.93			44	4.96		78	0.03	
11	CLK			45	0.25		79	0.03	
12	0			46	0.25		80	4.92	
13	CLK			47	0.03		81	4.48	OPEN
14	4.92			48	4.9		82	4.9	CLOSE
15	4.9			49	4.86		83	4.9	OPEN
16	0.02			50	0.03		84	4.89	
17	4.87			51	4.9		85	0.03	
18	4.89			52	4.83	IN-INT	86	0.03	
19	0.02			53	0.03		87	1.6	
20	0.02			54	4.89		88	0.03	
21	4.9	OPT OUT : ON		55	4.84		89	0	
22	0.02			56	4.91		90	0.03	
23	4.9			57	0.02		91	0	
24	PS			58	4.91		92	4.2	
25	4.9			59	0.02		93	0	
26	4.86			60	4.92		94	0	
27	4.92			61	0		95	2.42	
28	0			62	0		96	4.92	
29	PS			63	0		97	4.92	
30	PS			64	4.92		98	0.03	
31	PS			65	4.92		99	0.03	
32	PS			66	4.92		100	4.9	
33	4.91			67	PS	CHG			
34	4.91			68	0.02				

DVA-7996R

IC502	
1	4.91
2	4.91
3	0.00
4	0.00
5	0.00

IC504	
1	4.86
2	4.86
3	0.00
4	4.83
5	4.87

IC505	
1	4.53
2	0.00
3	0.00
4	0.00
5	4.87

IC508	
1	4.96
2	4.89
3	0.00
4	0.00
5	3.24

IC503			
1	PS	8	0.00
2	PS	9	0.00
3	PS	10	0.00
4	PS	11	0.00
5	PS	12	0.00
6	PS	13	0.00
7	0.00	14	5.00

IC506			
1	4.85	5	0.00
2	0.00	6	0.16
3	0.00	7	4.85
4	0.00	8	4.86

IC701							
1	PS	5	CLK	9	0.00	13	2.86
2	0.00	6	CLK	10	0.00	14	0.00
3	PS	7	4.90	11	0.00	15	4.90
4	4.90	8	0.00	12	1.95	16	4.83

IC802	
1	8.40
2	0.00
3	5.03

IC801									
1	0.00	6	4.91	11	4.91	16	0.07	21	3.24
2	0.00	7	8.41	12	0.04	17	13.32	22	4.92
3	4.92	8	0.00	13	0.08	18	4.79	23	14.06
4	4.40	9	4.92	14	0.07	19	5.41	24	4.94
5	8.22	10	2.11	15	2.68	20	0.00	25	14.07

IC805	
1	8.87
2	0.00
3	4.96

IC803	
1	5.41
2	5.41
3	0.00
4	2.88
5	1.25

IC806	
1	13.96
2	0.00
3	7.11

IC807	
1	0.00
2	4.92
3	3.30
4	-
5	-

IC808									
1	0.00	6	0.00	11	11.71	16	0.00	21	0.00
2	0.00	7	0.00	12	0.00	17	0.00	22	0.00
3	0.00	8	0.00	13	0.00	18	0.00	23	0.00
4	0.00	9	0.00	14	0.00	19	0.00	24	0.04
5	0.00	10	11.71	15	0.04	20	0.00	25	0.00

IC1001								
	FM	MW/LW		FM	MW/LW		FM	MW/LW
1	0	2.4	49	4.92	4.92	97	4.92	4.92
2	0	2.4	50	4.32	4.32	98	8.67	8.67
3	0	2.39	51	4.32	4.32	99	0	0
4	0	2.07	52	4.32	4.32	100	0	0
5	1.19	0	53	4.32	4.32	101	0	0
6	6.05	7.76	54	4.32	4.32	102	0	0
7	1.98	0	55	4.32	4.32	103	0	0
8	0	0	56	4.32	4.32	104	0	0
9	1.98	0	57	4.32	4.32	105	0	0
10	3.16	4.82	58	4.3	4.3	106	0	0
11	0.76	0.77	59	4.3	4.3	107	0	0
12	2.92	3.82	60	4.3	4.3	108	0	0
13	0.08	0.11	61	0.02	0.02	109	0	0
14	4.13	4.88	62	4.3	4.3	110	0	0
15	0.02	0	63	4.32	4.32	111	0	0
16	8.18	8.17	64	4.32	4.32	112	0	0
17	0	0	65	4.32	4.32	113	0.08	4.17
18	0	0	66	4.32	4.32	114	4.23	4.19
19	3.79	3.79	67	4.31	4.31	115	8.1	8.05
20	3.32	3.35	68	4.31	4.31	116	3	2.89
21	3.52	4.22	69	4.31	4.31	117	0.03	3.76
22	CLK	CLK	70	4.31	4.31	118	0.03	3.68
23	CLK	CLK	71	4.31	4.31	119	0.08	2.97
24	0	0	72	4.31	4.31	120	0	2.99
25	PS	PS	73	0	0	121	2.84	1.65
26	4.91	4.91	74	0	0	122	0.05	3.76
27	4.91	4.91	75	0	0	123	2.55	2.53
28	8.21	8.19	76	4.28	4.31	124	4.23	4.26
29	3.18	4.87	77	4.28	4.31	125	4.28	4.26
30	2.49	2.49	78	4.28	4.31	126	0	0
31	2.49	2.49	79	4.28	4.31	127	4.98	4.99
32	2.49	2.49	80	4.28	4.31	128	0	0.02
33	2.49	2.48	81	4.28	4.31	129	0	0
34	0	0	82	4.28	4.31	130	3.89	3.77
35	0	0	83	4.28	4.31	131	7.88	7.82
36	0	0	84	4.28	4.31	132	1.97	1.9
37	0	0	85	4.28	4.31	133	1.97	1.9
38	0	0	86	4.28	4.31	134	3.92	3.82
39	0	0	87	0.03	0.03	135	8.17	8.1
40	0	0	88	4.28	4.33	136	8.17	8.11
41	0	0	89	4.3	4.31	137	1.97	1.9
42	0	0	90	4.13	4.89	138	1.97	1.9
43	0	0	91	0	0	139	0	0
44	0	0	92	4.2	4.23	140	3.57	3.6
45	0	0	93	0.21	0.23	141	8.11	8.13
46	4.92	4.92	94	3.6	3.6	142	8.11	8.13
47	4.92	4.92	95	0	0	143	6.86	3.57
48	0	0	96	4.92	4.92	144	0	0.3

IC1002							
1	4.06	3	4.06	5	4.06	7	4.08
2	4.06	4	0.00	6	4.08	8	8.65

DVA-7996R

IC2601	
1	9.00
2	0.07
3	13.15

IC2602	
1	0.06
2	-13.03
3	-8.90

IC4001									
1	0.00	17	2.44	33	2.42	49	4.93	65	0.00
2	4.94	18	0.00	34	0.00	50	4.88	66	0.00
3	CLK	19	0.00	35	0.00	51	0.00	67	0.00
4	CLK	20	2.47	36	0.00	52	0.00	68	2.47
5	0.00	21	2.46	37	4.94	53	4.91	69	2.47
6	0.00	22	0.00	38	0.00	54	4.91	70	2.47
7	0.00	23	2.33	39	0.00	55	0.00	71	2.47
8	2.45	24	0.00	40	2.46	56	0.00	72	2.46
9	2.45	25	2.44	41	PS	57	0.00	73	0.00
10	0.00	26	2.44	42	0.00	58	4.93	74	0.00
11	2.45	27	2.44	43	0.00	59	0.00	75	2.47
12	0.00	28	4.94	44	0.00	60	0.00	76	2.47
13	4.94	29	0.00	45	0.00	61	0.00	77	0.00
14	2.44	30	2.42	46	0.00	62	0.00	78	4.94
15	2.44	31	0.00	47	0.00	63	0.00	79	2.47
16	0.00	32	2.42	48	PS	64	0.00	80	2.46

IC9101		
1	3.3	
2	5/0	RESET:OFF/ON
3	0	
4	3.3/0	RESET:OFF/ON
5	3.3	

IC9110		
1	3.3/0	MUTE:OFF/ON
2	3.3/0	MUTE:OFF/ON
3	0	
4	5/0	MUTE:OFF/ON
5	5	

IC9111		
1	5/0	OPTOUT:ON/OFF
2	5/0	RESET:OFF/ON
3	0	
4	3.3/0	RESET:OFF/ON
5	5	

IC9201		
1	PS(3.3Vp-p)	CD(2.8MHz)/DVD(3.1MHz)
2	PS(3.3Vp-p)	
3	PS(3.3Vp-p)	CD(44.1kHz)/DVD(48/96kHz)
4	0	
5	3.3	
6	5	
7	ANALOG AUDIO SIGNAL	Max 3.1Vp-p(0dB)
8	ANALOG AUDIO SIGNAL	Max 3.1Vp-p(0dB)
9	0	
10	2.5	
11	3.3/0	MUTE:OFF/ON
12	NC	
13	PS(5Vp-p)	
14	PS(5Vp-p)	10MHz
15	PS(5Vp-p)	
16	PS(3.3Vp-p)	CD(22.5MHz)/DVD(24.6MHz)

IC9202		
1	ANALOG AUDIO SIGNAL	Max 3.4Vp-p(0dB)
2	ANALOG AUDIO SIGNAL	Max 3.0Vp-p(0dB)
3	ANALOG AUDIO SIGNAL	Max 3.1Vp-p(0dB)
4	0	
5	ANALOG AUDIO SIGNAL	Max 3.0Vp-p(0dB)
6	ANALOG AUDIO SIGNAL	Max 3.4Vp-p(0dB)
7	ANALOG AUDIO SIGNAL	Max 3.4Vp-p(0dB)
8	8.5~9.0	

IC9501-1					
1	3.3		53	PS(3.3Vp-p)	
2	PS(3.3Vp-p)		54	PS(3.3Vp-p)	
3	PS(3.3Vp-p)		55	PS(3.3Vp-p)	
4	PS(3.3Vp-p)		56	PS(3.3Vp-p)	
5	PS(3.3Vp-p)		57	PS(3.3Vp-p)	
6	PS(3.3Vp-p)		58	PS(3.3Vp-p)	
7	PS(3.3Vp-p)		59	3.3	
8	0		60	0	
9	2.85		61	PS(3.3Vp-p)	
10	PS(3.3Vp-p)		62	PS(3.3Vp-p)	
11	PS(3.3Vp-p)		63	PS(3.3Vp-p)	
12	PS(3.3Vp-p)		64	PS(3.3Vp-p)	
13	PS(3.3Vp-p)		65	PS(3.3Vp-p)	
14	PS(3.3Vp-p)		66	PS(3.3Vp-p)	
15	PS(3.3Vp-p)		67	0	
16	PS(3.3Vp-p)		68	3.3	
17	0		69	PS(3.3Vp-p)	
18	3.3		70	NC	
19	PS(3.3Vp-p)		71	PS(3.3Vp-p)	
20	PS(3.3Vp-p)		72	PS(3.3Vp-p)	
21	PS(3.3Vp-p)		73	PS(3.3Vp-p)	
22	NC		74	PS(3.3Vp-p)	
23	NC		75	3.3	
24	3.3/0	RESET:OFF/ON	76	0	
25	0		77	PS(3.3Vp-p)	
26	0		78	PS(3.3Vp-p)	
27	3.3		79	PS(3.3Vp-p)	
28	NC		80	PS(3.3Vp-p)	
29	NC		81	PS(3.3Vp-p)	
30	NC		82	PS(3.3Vp-p)	
31	NC		83	2.85	
32	PS(3.3Vp-p)	CD(44.1kHz)/DVD(48/96kHz)	84	0	
33	PS(3.3Vp-p)		85	PS(3.3Vp-p)	
34	0		86	PS(3.3Vp-p)	
35	2.85		87	PS(3.3Vp-p)	
36	0		88	PS(3.3Vp-p)	
37	NC		89	PS(3.3Vp-p)	
38	NC		90	PS(3.3Vp-p)	
39	PS(3.3Vp-p)	CD(22.5MHz)/DVD(24.6MHz)	91	0	
40	PS(3.3Vp-p)	CD(2.8MHz)/DVD(3.1MHz)	92	3.3	
41	PS(3.3Vp-p)		93	PS(3.3Vp-p)	
42	NC		94	PS(3.3Vp-p)	
43	0		95	PS(3.3Vp-p)	
44	2.85		96	PS(3.3Vp-p)	
45	NC		97	PS(3.3Vp-p)	
46	NC		98	0	
47	NC		99	3.3	
48	0		100	PS(3.3Vp-p)	
49	PS(3.3Vp-p)	28MH z	101	PS(3.3Vp-p)	
50	NC		102	PS(3.3Vp-p)	108MH z
51	3.3		103	0	
52	0		104	3.3	

DVA-7996R

IC9501-2					
105	PS(3.3Vp-p)	27MH z	157	3.3	
106	PS(3.3Vp-p)		158	PS(3.3Vp-p)	
107	PS(3.3Vp-p)		159	5	
108	PS(3.3Vp-p)		160	PS(3.3Vp-p)	
109	PS(3.3Vp-p)		161	PS(3.3Vp-p)	200 k H z
110	PS(3.3Vp-p)		162	PS(3.3Vp-p)	
111	3.3		163	0	
112	0		164	3.3	
113	PS(3.3Vp-p)		165	3.3/0	MUTE:OFF/ON
114	PS(3.3Vp-p)		166	PS(5Vp-p)	
115	PS(3.3Vp-p)		167	PS(5Vp-p)	
116	PS(3.3Vp-p)	27MH z	168	PS(5Vp-p)	
117	PS(3.3Vp-p)	27MH z	169	PS(3.3Vp-p)	
118	PS(3.3Vp-p)	NTSC : 60Hz、PAL : 50Hz	170	PS(3.3Vp-p)	
119	PS(3.3Vp-p)	NTSC : 15.8kHz、PAL : 15.6 k Hz	171	0	
120	0		172	2.85	
121	2.85V (D2V)		173	PS(3.3Vp-p)	
122	PS(3.3Vp-p)		174	PS(3.3Vp-p)	
123	PS(3.3Vp-p)		175	PS(3.3Vp-p)	
124	PS(3.3Vp-p)		176	PS(3.3Vp-p)	
125	PS(3.3Vp-p)		177	0	
126	PS(3.3Vp-p)		178	PS(3.3Vp-p)	
127	PS(3.3Vp-p)		179	PS(3.3Vp-p)	
128	PS(3.3Vp-p)		180	PS(3.3Vp-p)	
129	0		181	PS(3.3Vp-p)	
130	3.3		182	PS(3.3Vp-p)	
131	PS(3.3Vp-p)		183	3.3	
132	PS(3.3Vp-p)		184	0	
133	PS(3.3Vp-p)		185	PS(3.3Vp-p)	
134	PS(3.3Vp-p)		186	PS(3.3Vp-p)	
135	PS(3.3Vp-p)		187	PS(3.3Vp-p)	
136	PS(3.3Vp-p)		188	NC	
137	PS(3.3Vp-p)		189	NC	
138	0		190	NC	
139	2.85		191	NC	
140	PS(3.3Vp-p)		192	0	
141	PS(3.3Vp-p)		193	3.3	
142	NC		194	NC	
143	NC		195	NC	
144	PS(3.3Vp-p)		196	NC	
145	PS(3.3Vp-p)		197	NC	
146	PS(3.3Vp-p)		198	PS(3.3Vp-p)	
147	0		199	NC	
148	3.3		200	0	
149	PS(3.3Vp-p)		201	3.3	
150	PS(3.3Vp-p)		202	NC	
151	0		203	NC	
152	PS(3.3Vp-p)		204	PS(3.3Vp-p)	
153	PS(3.3Vp-p)		205	PS(3.3Vp-p)	
154	PS(3.3Vp-p)		206	PS(3.3Vp-p)	
155	PS(3.3Vp-p)		207	PS(3.3Vp-p)	
156	0		208	0	

IC9502	
1	PS(3.3Vp-p)
2	PS(5Vp-p)
3	PS(5Vp-p)
4	PS(5Vp-p)
5	PS(5Vp-p)
6	PS(5Vp-p)
7	PS(5Vp-p)
8	PS(5Vp-p)
9	PS(5Vp-p)
10	0
11	PS(3.3Vp-p)
12	PS(3.3Vp-p)
13	PS(3.3Vp-p)
14	PS(3.3Vp-p)
15	PS(3.3Vp-p)
16	PS(3.3Vp-p)
17	PS(3.3Vp-p)
18	PS(3.3Vp-p)
19	0
20	3.3

IC9503	
1	PS(3.3Vp-p)
2	PS(5Vp-p)
3	PS(5Vp-p)
4	PS(5Vp-p)
5	PS(5Vp-p)
6	PS(5Vp-p)
7	PS(5Vp-p)
8	PS(5Vp-p)
9	PS(5Vp-p)
10	0
11	PS(3.3Vp-p)
12	PS(3.3Vp-p)
13	PS(3.3Vp-p)
14	PS(3.3Vp-p)
15	PS(3.3Vp-p)
16	PS(3.3Vp-p)
17	PS(3.3Vp-p)
18	PS(3.3Vp-p)
19	0
20	3.3

IC9505	
1	PS(3.3Vp-p)
2	PS(5Vp-p)
3	PS(5Vp-p)
4	PS(5Vp-p)
5	PS(5Vp-p)
6	PS(5Vp-p)
7	PS(5Vp-p)
8	PS(5Vp-p)
9	PS(3.3Vp-p)
10	0
11	PS(3.3Vp-p)
12	PS(3.3Vp-p)
13	PS(3.3Vp-p)
14	PS(3.3Vp-p)
15	PS(3.3Vp-p)
16	PS(3.3Vp-p)
17	PS(3.3Vp-p)
18	PS(3.3Vp-p)
19	0
20	3.3

IC9504			
1	3.3	5	PS(5Vp-p)
2	PS(5Vp-p)	6	PS(3.3Vp-p)
3	PS(3.3Vp-p)	7	3.3
4	0	8	3.3

IC9510	
1	PS(5Vp-p)
2	PS(3.3Vp-p)
3	0
4	PS(5Vp-p)
5	5

IC9701						
1	3.3	19	PS(3.3Vp-p)	37	3.3	
2	PS(3.3Vp-p)	20	PS(3.3Vp-p)	38	PS(3.3Vp-p)	108MHz
3	3.3	21	PS(3.3Vp-p)	39	PS(3.3Vp-p)	
4	PS(3.3Vp-p)	22	PS(3.3Vp-p)	40	NC	
5	PS(3.3Vp-p)	23	PS(3.3Vp-p)	41	0	
6	0	24	PS(3.3Vp-p)	42	PS(3.3Vp-p)	
7	PS(3.3Vp-p)	25	PS(3.3Vp-p)	43	3.3	
8	PS(3.3Vp-p)	26	PS(3.3Vp-p)	44	PS(3.3Vp-p)	
9	3.3	27	3.3	45	PS(3.3Vp-p)	
10	PS(3.3Vp-p)	28	0	46	0	
11	PS(3.3Vp-p)	29	PS(3.3Vp-p)	47	PS(3.3Vp-p)	
12	0	30	PS(3.3Vp-p)	48	PS(3.3Vp-p)	
13	PS(3.3Vp-p)	31	PS(3.3Vp-p)	49	3.3	
14	3.3	32	PS(3.3Vp-p)	50	PS(3.3Vp-p)	
15	PS(3.3Vp-p)	33	PS(3.3Vp-p)	51	PS(3.3Vp-p)	
16	PS(3.3Vp-p)	34	PS(3.3Vp-p)	52	0	
17	PS(3.3Vp-p)	35	PS(3.3Vp-p)	53	PS(3.3Vp-p)	
18	PS(3.3Vp-p)	36	NC	54	0	

DVA-7996R

IC9702						
1	PS(3.3Vp-p)		17	PS(3.3Vp-p)	33	PS(3.3Vp-p)
2	PS(3.3Vp-p)		18	PS(3.3Vp-p)	34	NC
3	PS(3.3Vp-p)		19	PS(3.3Vp-p)	35	PS(3.3Vp-p)
4	PS(3.3Vp-p)		20	PS(3.3Vp-p)	36	NC
5	PS(3.3Vp-p)		21	PS(3.3Vp-p)	37	3.3V (D3V)
6	PS(3.3Vp-p)		22	PS(3.3Vp-p)	38	PS(3.3Vp-p)
7	PS(3.3Vp-p)		23	PS(3.3Vp-p)	39	NC
8	PS(3.3Vp-p)		24	PS(3.3Vp-p)	40	PS(3.3Vp-p)
9	NC		25	PS(3.3Vp-p)	41	NC
10	NC		26	PS(3.3Vp-p)	42	PS(3.3Vp-p)
11	PS(3.3Vp-p)		27	0	43	NC
12	3.3/0	RESET:OFF/ON	28	PS(3.3Vp-p)	44	PS(3.3Vp-p)
13	NC		29	PS(3.3Vp-p)	45	PS(3.3Vp-p)
14	NC		30	NC	46	0
15	NC		31	PS(3.3Vp-p)	47	0
16	PS(3.3Vp-p)		32	NC	48	PS(3.3Vp-p)

IC9703	
1	PS(3.3Vp-p)
2	PS(3.3Vp-p)
3	PS(3.3Vp-p)
4	PS(3.3Vp-p)
5	PS(3.3Vp-p)
6	PS(3.3Vp-p)
7	3.3
8	PS(3.3Vp-p)
9	PS(3.3Vp-p)
10	PS(3.3Vp-p)
11	PS(3.3Vp-p)
12	PS(3.3Vp-p)
13	PS(3.3Vp-p)
14	PS(3.3Vp-p)
15	PS(3.3Vp-p)
16	PS(3.3Vp-p)
17	PS(3.3Vp-p)
18	PS(3.3Vp-p)
19	PS(3.3Vp-p)
20	PS(3.3Vp-p)
21	0
22	PS(3.3Vp-p)
23	PS(3.3Vp-p)
24	PS(3.3Vp-p)
25	PS(3.3Vp-p)
26	PS(3.3Vp-p)
27	PS(3.3Vp-p)
28	PS(3.3Vp-p)

IC9702		
1	0	
2	NC	
3	PS(3.3Vp-p)	
4	PS(3.3Vp-p)	
5	NC	
6	NC	
7	PS(3.3Vp-p)	
8	PS(3.3Vp-p)	
9	NC	
10	0	
11	PS(3.3Vp-p)	
12	5/0	MUTE:OFF/ON
13	PS(3.3Vp-p)	
14	PS(3.3Vp-p)	
15	PS(5Vp-p)	
16	PS(5Vp-p)	10MHz
17	PS(3.3Vp-p)	
18	PS(3.3Vp-p)	
19	PS(5Vp-p)	
20	5	

IC9705		
1	NC	
2	PS(3.3Vp-p)	
3	0	
4	0/3.3V	RESET:OFF/ON
5	5	

IC9706					
1	PS(3.3Vp-p)		4	PS(3.3Vp-p)/3.3	RESET:OFF/ON
2	0/3.3	RESET:OFF/ON	5	5	
3	0				

IC9801					
1	1.0Vp-p	ANALOG AUDIO SIGNAL	25	PS(3.3Vp-p)	
2	1.0Vp-p	ANALOG AUDIO SIGNAL	26	PS(3.3Vp-p)	
3	3.3		27	PS(3.3Vp-p)	
4	1.0Vp-p	ANALOG AUDIO SIGNAL	28	PS(3.3Vp-p)	
5	1.0Vp-p	ANALOG AUDIO SIGNAL	29	PS(3.3Vp-p)	
6	3.3		30	PS(3.3Vp-p)	
7	0.7Vp-p	ANALOG AUDIO SIGNAL	31	PS(3.3Vp-p)	
8	0.7Vp-p	ANALOG AUDIO SIGNAL	32	PS(3.3Vp-p)	
9	3.3		33	0	
10	0		34	0	
11	1.6		35	PS(3.3Vp-p)	NTSC : 60Hz、PAL : 50Hz
12	3.3		36	PS(3.3Vp-p)	TSC : 15.8kHz、PAL : 15.6 kHz
13	1.6		37	0	
14	0		38	0	
15	0		39	0	
16	0		40	0	
17	PS(3.3Vp-p)		41	0	
18	PS(3.3Vp-p)	200 k Hz	42	0	
19	0		43	3.3	
20	0		44	0	
21	PS(3.3Vp-p)	27MHz	45	0	
22	3.3		46	0	
23	3.3/0	RESET:OFF/ON	47	0	
24	0		48	0	

	1	2	3	4	5	6
Q306	0.00	0.00	0.00	0.00	0.00	0.00
Q307	0.00	0.00	0.00	0.00	0.00	0.00
Q308	0.00	0.00	0.00	0.00	0.00	0.00
Q309	-0.21	0.00	-0.21	0.00	0.00	0.00

	1	2	3	4	5	NOTE
0002	0.00	4.77	4.90	8.20	0.00	
0008	0.00	4.90	4.90	4.68	0.00	
0202	0.00	8.83	0.00	0.00	4.70	
0303	13.92	-8.76	13.99	0.00	0.00	
0305	13.93	-0.99	13.98	0.00	0.00	
0503	0.00	4.86	5.00	4.68	0.00	OPTOUT: ON
0801	0.00	4.90	4.92	2.69	0.00	
0803	0.00	13.93	13.99	4.65	0.00	
0806	0.00	13.86	14.00	4.90	0.00	
0809	0.00	13.90	14.00	4.47	0.00	
0814	0.00	4.85	4.87	5.72	0.00	
0815	0.00	4.83	4.90	4.85	0.00	
0818	0.00	13.87	13.97	3.81	0.00	
0822	0.00	13.90	14.00	3.81	0.00	
0823	0.00	13.88	14.00	3.80	0.00	
0825	0.00	13.87	13.98	3.81	0.00	
Q1004	7.31	0	0	2.5	3.19	AM

DVA-7996R

	1	2	3	4	NOTE
Q1003	5.99	2.47	0.91	7.81	FM

	E	C	B	NOTE		E	C	B	NOTE
Q001	8.19	8.13	7.45	AM	Q509	0.00	6.22	0.11	
Q003	8.21	8.13	2.69	FM	Q510	5.56	8.97	0.02	
Q006	0.00	0.28	0.02		Q701	4.92	1.97	4.91	
Q201	0.00	3.60	0.02		Q802	8.84	13.94	9.46	
Q302	0.00	0.02	4.24		Q804	12.19	13.97	12.85	
Q304	0.00	0.00	4.70		Q805	12.18	13.96	12.85	
Q400	0.00	0.06	4.81	MP3	Q807	11.71	13.96	12.24	
Q401	0.00	0.15	0.82		Q808	11.71	13.96	12.24	
Q402	0.00	0.00	0.71		Q810	9.74	13.98	10.35	
Q403	0.00	0.00	0.75		Q811	0.00	13.94	0.00	
Q404	0.00	0.06	4.81	REAR DVD	Q812	13.93	13.92	13.26	
Q405	0.00	0.04	0.72	AMBER	Q813	0.00	0.06	4.88	
Q406	0.00	0.09	0.75		Q816	4.84	4.83	2.96	IN-INT
Q407	8.07	11.85	8.69		Q817	0.00	0.00	9.60	DIMMER
Q408	0.00	0.05	0.71		Q819	13.96	13.89	13.22	
Q409	0.00	0.07	0.73	AMBER	Q820	0.00	0.12	3.83	
Q501	4.93	4.88	0.04		Q821	8.84	13.94	9.47	
Q502	0.00	0.04	4.70		Q824	8.99	13.97	9.59	
Q504	0.00	0.11	4.48	OPEN	Q826	13.99	0.00	13.96	
Q505	4.88	0.00	0.00		Q827	0.00	13.96	0.00	
Q506	0.00	4.87	0.00		Q2601	9.38	14.01	10.01	
Q507	3.06	7.61	3.61		Q2602	-0.70	9.19	0.06	
Q508	8.26	6.22	7.62		Q2603	-0.70	9.20	0.06	

Q9801	
E	ANALOG AUDIO SIGNAL (1.0Vp-p, 1.5V BIAS)
C	0
B	ANALOG AUDIO SIGNAL (1.0Vp-p, 1.5V BIAS)

[Measuring Conditions]

- Power Supply Voltage : DC14.4V
- Measuring Meter : Digital Multi Meter
- Measuring Point Reference : Between
- Measuring Condition : FM : 98.1MHz, 72 μ dB EMF
 AM : 999KHz, 72 μ dB EMF
 CD : at playing Disc(TCD-782, T-02(1kHz/0dB))

DVD Deck Mechanism

IC1									
1	1.65	37	0	73	DIGITAL	109	DIGITAL	145	ANALOG
2	1.65	38	0	74	5	110	0	146	ANALOG
3	0	39	0	75	0	111	DIGITAL	147	ANALOG
4	ANALOG	40	0	76	5	112	DIGITAL	148	ANALOG
5	3.2	41	DIGITAL	77	5	113	DIGITAL	149	0
6	1.6	42	DIGITAL	78	3.3	114	NC	150	ANALOG
7	ANALOG	43	DIGITAL	79	DIGITAL	115	NC	151	ANALOG
8	0	44	DIGITAL	80	DIGITAL	116	3.3	152	ANALOG
9	0	45	DIGITAL	81	DIGITAL	117	NC	153	ANALOG
10	CLK	46	DIGITAL	82	DIGITAL	118	0	154	0
11	CLK	47	DIGITAL	83	0	119	0	155	1.65
12	3.3	48	DIGITAL	84	DIGITAL	120	NC	156	1.65
13	0	49	DIGITAL	85	DIGITAL	121	NC	157	1.65
14	NC	50	DIGITAL	86	DIGITAL	122	0	158	ANALOG
15	3.3	51	DIGITAL	87	DIGITAL	123	1.65	159	ANALOG
16	3.3	52	DIGITAL	88	DIGITAL	124	1.65	160	3.3
17	0	53	DIGITAL	89	3.3	125	0/3.3	161	ANALOG
18	1.65	54	5	90	DIGITAL	126	0.82	162	ANALOG
19	3.3	55	NC	91	DIGITAL	127	0	163	ANALOG
20	1.74	56	NC	92	DIGITAL	128	ANALOG	164	ANALOG
21	1.39	57	DIGITAL	93	DIGITAL	129	ANALOG	165	ANALOG
22	0	58	NC	94	DIGITAL	130	ANALOG	166	ANALOG
23	NC	59	3.3	95	5	131	ANALOG	167	ANALOG
24	NC	60	DIGITAL	96	DIGITAL	132	ANALOG	168	ANALOG
25	NC	61	0	97	DIGITAL	133	ANALOG	169	3.3
26	NC	62	DIGITAL	98	DIGITAL	134	ANALOG	170	0/3.3
27	NC	63	DIGITAL	99	DIGITAL	135	1.65	171	0
28	NC	64	DIGITAL	100	DIGITAL	136	ANALOG	172	0
29	NC	65	DIGITAL	101	DIGITAL	137	ANALOG	173	0
30	NC	66	0	102	DIGITAL	138	3.3	174	0
31	NC	67	DIGITAL	103	DIGITAL	139	ANALOG	175	0/3
32	NC	68	DIGITAL	104	DIGITAL	140	NC	176	1.65
33	3.3	69	DIGITAL	105	0	141	3.3		
34	NC	70	5	106	DIGITAL	142	ANALOG		
35	NC	71	5	107	DIGITAL	143	ANALOG		
36	3.3	72	DIGITAL	108	DIGITAL	144	3.3		

DVA-7996R

IC2									
1	0	17	ANALOG	33	ANALOG	49	ANALOG	65	5
2	ANALOG	18	0	34	ANALOG	50	ANALOG	66	0
3	ANALOG	19	0	35	2.1	51	0	67	ANALOG
4	2.1	20	ANALOG	36	2.1	52	5	68	ANALOG
5	2.1	21	5	37	0	53	NC	69	ANALOG
6	2.1	22	NC	38	2.1	54	0	70	ANALOG
7	ANALOG	23	NC	39	2.1	55	0	71	5
8	1.65	24	NC	40	ANALOG	56	ANALOG	72	ANALOG
9	3.3	25	ANALOG	41	ANALOG	57	ANALOG	73	ANALOG
10	ANALOG	26	ANALOG	42	ANALOG	58	ANALOG	74	ANALOG
11	ANALOG	27	5	43	ANALOG	59	ANALOG	75	ANALOG
12	ANALOG	28	ANALOG	44	ANALOG	60	ANALOG	76	0
13	ANALOG	29	2.1	45	ANALOG	61	2.1	77	ANALOG
14	ANALOG	30	2.1	46	5	62	2.1	78	ANALOG
15	ANALOG	31	ANALOG	47	ANALOG	63	2.1	79	ANALOG
16	ANALOG	32	NC	48	ANALOG	64	2.1	80	ANALOG

IC3									
1	5	9	DIGITAL	19	DIGITAL	27	DIGITAL	37	DIGITAL
2	DIGITAL	10	DIGITAL	20	DIGITAL	28	DIGITAL	38	DIGITAL
3	DIGITAL	13	NC	21	DIGITAL	29	DIGITAL	39	0
4	DIGITAL	14	NC	22	5	30	DIGITAL	40	DIGITAL
5	DIGITAL	15	DIGITAL	23	0	31	DIGITAL	41	DIGITAL
6	5	16	DIGITAL	24	DIGITAL	32	NC	42	DIGITAL
7	DIGITAL	17	NC	25	DIGITAL	35	DIGITAL	43	DIGITAL
8	DIGITAL	18	DIGITAL	26	DIGITAL	36	DIGITAL	44	0

IC4									
1	0	7	ANALOG	13	ANALOG	19	0	25	ANALOG
2	ANALOG	8	7	14	ANALOG	20	1.65	26	ANALOG
3	ANALOG	9	ANALOG	15	ANALOG	21	5	27	ANALOG
4	ANALOG	10	ANALOG	16	ANALOG	22	ANALOG	28	0
5	ANALOG	11	ANALOG	17	NC	23	ANALOG		
6	ANALOG	12	ANALOG	18	NC	24	ANALOG		

IC5									
1	ANALOG	5	ANALOG	9	ANALOG	13	1.65	17	ANALOG
2	0.05	6	ANALOG	10	0	14	ANALOG	18	ANALOG
3	ANALOG	7	0.4	11	0/4.8	15	ANALOG	19	ANALOG
4	ANALOG	8	ANALOG	12	ANALOG	16	6.6	20	ANALOG

IC6	
1	0
2	7
3	3.2

IC8	
1	ANALOG
2	ANALOG
3	0
4	0
5	5

IC9									
1	NC	30	H	59	H	88	DIGITAL	117	DIGITAL
2	0	31	H	60	H	89	0	118	DIGITAL
3	DIGITAL	32	H	61	DIGITAL	90	5	119	DIGITAL
4	H	33	H	62	DIGITAL	91	DIGITAL	120	DIGITAL
5	H	34	H	63	DIGITAL	92	DIGITAL	121	DIGITAL
6	H	35	5	64	0	93	DIGITAL	122	DIGITAL
7	H	36	NC	65	DIGITAL	94	DIGITAL	123	DIGITAL
8	0	37	NC	66	DIGITAL	95	DIGITAL	124	DIGITAL
9	5	38	0	67	DIGITAL	96	L	125	DIGITAL
10	L	39	L	68	DIGITAL	97	L	126	5
11	L	40	L	69	DIGITAL	98	DIGITAL	127	0
12	L	41	L	70	0	99	DIGITAL	128	DIGITAL
13	L	42	L	71	NC	100	0	129	L
14	L	43	L	72	NC	101	DIGITAL	130	DIGITAL
15	L	44	0	73	NC	102	DIGITAL	131	0
16	L	45	H	74	CLK	103	5	132	H
17	L	46	L	75	NC	104	H	133	0
18	5	47	L	76	NC	105	5	134	H
19	0	48	0	77	NC	106	0	135	5
20	L	49	0	78	5	107	0	136	0
21	L	50	0	79	H	108	0	137	H
22	L	51	0	80	0	109	4.9	138	H
23	L	52	CLK	81	DIGITAL	110	DIGITAL	139	NC
24	L	53	CLK	82	DIGITAL	111	DIGITAL	140	DIGITAL
25	L	54	5	83	DIGITAL	112	DIGITAL	141	NC
26	L	55	DIGITAL	84	DIGITAL	113	DIGITAL	142	DIGITAL
27	L	56	0	85	DIGITAL	114	DIGITAL	143	5
28	0	57	CLK	86	DIGITAL	115	DIGITAL	144	NC
29	H	58	DIGITAL	87	DIGITAL	116	0		

IC10									
1	H	21	NC	41	NC	61	DIGITAL	81	DIGITAL
2	H	22	NC	42	L	62	0	82	DIGITAL
3	NC	23	NC	43	L	63	NC	83	DIGITAL
4	H	24	NC	44	L	64	DIGITAL	84	DIGITAL
5	0/5	25	NC	45	NC	65	DIGITAL	85	DIGITAL
6	H	26	NC	46	H	66	DIGITAL	86	DIGITAL
7	L	27	NC	47	H	67	DIGITAL	87	ANALOG
8	NC	28	H	48	H	68	DIGITAL	88	ANALOG
9	NC	29	H	49	H	69	DIGITAL	89	ANALOG
10	H	30	L	50	H	70	DIGITAL	90	L
11	CLK	31	L	51	H	71	NC	91	NC
12	0	32	L	52	H	72	NC	92	NC
13	CLK	33	H	53	DIGITAL	73	L	93	2.1
14	5	34	L	54	DIGITAL	74	H	94	0
15	H	35	H	55	DIGITAL	75	H	95	2.1
16	H	36	H	56	DIGITAL	76	L	96	5
17	H	37	H	57	DIGITAL	77	H	97	5
18	DIGITAL	38	H	58	DIGITAL	78	H	98	NC
19	L	39	H	59	DIGITAL	79	DIGITAL	99	NC
20	L	40	NC	60	5	80	DIGITAL	100	NC

DVA-7996R

IC11	
1	NC
2	1.4
3	NC
4	0
5	1.2
6	5
7	5
8	NC

IC12					
1	5	17	NC	31	DIGITAL
2	DIGITAL	18	DIGITAL	32	NC
3	DIGITAL	19	DIGITAL	35	DIGITAL
4	DIGITAL	20	DIGITAL	36	DIGITAL
5	DIGITAL	21	DIGITAL	37	DIGITAL
6	5	22	5	38	DIGITAL
7	DIGITAL	23	0	39	0
8	DIGITAL	24	DIGITAL	40	DIGITAL
9	DIGITAL	25	DIGITAL	41	DIGITAL
10	DIGITAL	26	DIGITAL	42	DIGITAL
13	NC	27	DIGITAL	43	DIGITAL
14	NC	28	DIGITAL	44	0
15	DIGITAL	29	DIGITAL		
16	DIGITAL	30	DIGITAL		

IC13	
1	NC
2	NC
3	0
4	0
5	0
6	0
7	NC
8	5

IC14	
1	PS
2	0.8
3	PS
4	0
5	2.6
6	PS
7	PS
8	7

IC16	
1	ANALOG
2	ANALOG
3	5
4	0
5	ANALOG
6	ANALOG
7	0
8	5

IC17	
1	5
2	NC
3	3.47
4	NC
5	1.25
6	0
7	0
8	5

	E	C	B
01	1.65	ANALOG	0
02	1.65	ANALOG	0
04	4.3	2.4	3.7
05	5	0	5
08	6.6	ANALOG	6.6

	1	2	3	4	5
Q3	NC	5	5	5	0
Q6	1.2	0	2.6	0	0

[Measuring Conditions]

- Power Supply Voltage : DC13.2V
- Measuring Meter : Oscilloscope
- Measuring Point Reference : Between GND
- Measuring Condition : Playing Test DISC

Description of IC Terminal

D78F4216AGC : IC003

No.	Symbol	I/O	Terminal Description
1	IF MUTE	0	IF MUTE control terminal. H : ON
2	NC	-	No connect terminal.
3			
4	RDS-CONT	0	RDS data input prevention control terminal of adjoining station. H : RDS OFF
5	NC	-	No connect terminal.
7			
8			
9	VDD	-	Power supply connect terminal.
10	X2	-	Crystal OSC connect terminal for main system clock OSC. (12.288MHz)
11	X1		
12	VSS	-	GND connect terminal.
13	XT2(NC)	-	No connect terminal.
14	XT1(GND)	-	GND connect terminal.
15	RESET	I	System reset input terminal.
16	BATT-DET	I	BATT compulsion stand-by signal input terminal from VDD IC.
17	STANDBY	I	Stand-by signal input terminal from MAIN u-COM.
18	NC	-	No connect terminal.
19	IS BUS Fin	I	IS BUS frame signal input terminal.
20	NC	-	No connect terminal.
21			
22			
23	AVDD	-	Analog power supply connect terminal of A/D converter.
24	AVREF0	I	Standard voltage input terminal of A/D converter.
25	S-METER	I	S.METER input terminal.
26	MULTIPATH	I	Multipath input terminal of RDS Decoder.
27	ADJCH-DET	I	Adjoining station detection input terminal.
28	SSTOP	I	FM station detection signal input terminal.
29	AMST/MP	I	SEEK STOP detect input terminal at AM. H : Station ON
30	AFC	I	FM station detection signal input terminal.
31	NC(GND)	-	GND connect terminal.
32			
33	AVSS	-	GND connect terminal of A/D converter.
34	NC	-	No connect terminal.
35			
36	AVREF1	I	Standard voltage input terminal of D/A converter.
37	IS BUS RX	I	IS BUS receiving terminal.
38	IS BUS TX	0	IS BUS transmitting terminal.
39	IS BUS Fout	0	IS BUS frame signal output terminal.
40	MONITOR RXD	I	Command input terminal from RDS monitor (P/C).
41	MONITOR TXD	0	Status output terminal to RDS monitor (P/C).
42	NC	-	No connect terminal.
43			
47			
48	T-MUTE	0	Mute signal output terminal to MAIN u-COM.
49	NC	-	No connect terminal.
50			

DVA-7996R

No.	Symbol	I/O	Terminal Description
51	MARKET1	I	Area setting up terminal.
52	MARKET2		
53	MARKET3		
54	AUTO-ADJ	I	Auto adjustment start signal terminal of FM/AM TUNER. L : start
55	NC	-	No connect terminal.
7			
71			
72	VSS	-	GND connect terminal.
73	NC	-	No connect terminal.
7			
80			
81	VDD	-	Power supply connect terminal.
82	NC	-	No connect terminal.
7			
91			
92	PAUSE	I	Audio signal detection terminal. L : Blank
93	DAVN	I	Data available input terminal of RDS Decoder(SAA6588T).
94	TEST/VPP	-	GND connect terminal.
95	RDS SDA	I/O	Data input/output terminal to RDS Decoder(SAA6588T).
96	RDS SCL	0	Clock output terminal to RDS Docoder(SAA6588T).
97	IIC SCL	0	I2C clock output terminal to TUNER/EEPROM.
98	IIC SDA	I/O	I2C data input/output terminal to TUNER/EEPROM.
99	TUNER ON(NC)	-	No connect terminal.
100	FM/AM	0	FM/AM+B switching terminal. L : FM

M30803FGGP : IC501

No.	Symbol	I/O	Terminal Description
1	V-MUTE	0	Video mute output terminal. L : Mute ON
2	REMOCON DATA	I	Remote control data input terminal.
3	SYS/DSP SDA	I/O	Data input/output terminal to System power/DSP-IC(TC94A04AFD).
4	SYS/DSP SCL	0	Clock output terminal to System power/DSP-IC(TC94A04AFD).
5	DSP RESET	0	Reset signal output terminal to DSP-IC(TC94A04AFD).
6	BYTE(GND)	-	GND connect terminal.
7	CNVSS(PULL-DOWN)	-	Pull-down connect terminal.
8	XCIN	I	Crystal OSC connect terminal for sub system clock OSC.
9	XCOUT	0	
10	RESET	I	System reset input terminal.
11	XOUT	0	Crystal OSC connect terminal for main system clock OSC.
12	VSS	-	GND connect terminal.
13	XIN	I	Crystal OSC connect terminal for main system clock OSC.
14	VCC	-	Power supply connect terminal.
15	NMI(PULL-UP)	I	Pull-up connect terminal of 47K ohm resistor.
16	NC	-	No connect terminal.
17	ACC-DET	I	ACC detect signal input terminal.
18	BATT-DET	I	BATT detect signal input terminal.
19	NC	-	No connect terminal.
20			

No.	Symbol	I/O	Terminal Description
21	OPT-MUTE	0	OPT-Out mute signal output terminal.
22	BUZZER	0	BUZZER signal output terminal.
23	RDS STBY	0	Movement stand-by request signal output terminal to RDS u-COM.
24	DVD-CS	0	Chip select signal output terminal to DVD u-COM.
25	DVD RST	0	System reset signal output terminal to DVD u-COM.
26	DVD PWR-CONT	0	Power supply control signal output terminal to DVD mechanism.
27	E-VOL SCL	0	I2C SCL output terminal to EEPROM/E-VOL.
28	E-VOL SDA	I/O	I2C SDA input/output terminal to EEPROM/E-VOL.
29	DVD D0	0	Data output terminal to DVD u-COM.
30	DVD D1	1	Data input terminal from DVD u-COM.
31	DVD ACK/STB-IN	1	Input terminal from DVD u-COM. Command sending : ACT input, Status receiving : STB output
32	DVD STB/ACT-OUT	0	Output terminal to DVD u-COM. Command sending : STB output, Status receiving : ACT input
33	RDS TXD	0	Communication data output terminal to RDS u-COM
34	RDS RXD	1	Communication data input terminal from RDS u-COM
35	LCD CLK	0	Serial clock signal output terminal to LCD DRIVER(LC75883).
36	LCD CE	0	Chip enable signal output terminal to LCD DRIVER(LC75883).
37	LCD RESET	0	Reset(INH) signal output terminal to LCD DRIVER(LC75883).
38	LCD DI	1	Serial data signal input terminal from LCD DRIVER(LC75883).
39	LCD D0	0	Serial data signal output terminal to LCD DRIVER(LC75883).
40	LCD C2	0	Chip select signal output terminal to LCD DRIVER(LC75873).
41	LCD A0	0	A0 signal output terminal to LCD DRIVER(LC75873).
42	NOSE PWR	0	Power supply switch output terminal to NOSE.
43	OPTOUT-CONT	0	OPT output ON/OFF control signal output terminal.
44	ZERO DET	1	AMUTE signal input terminal from DVD u-COM.
45	ENCODER2	1	ENCODER2 input terminal.
46	ENCODER1	1	ENCODER1 input terminal.
47	NC	-	No connect terminal.
48	LCD-CONT	0	Power supply control output terminal for Front LCD.
49	POWER CONT	0	Power supply control signal output terminal.
50	NC	-	No connect terminal.
51	A-MUTE	0	Audio mute signal output terminal.
52	IN-INT	1	Outer interrupt signal input terminal.
53	P-ANT	0	P-ANT control signal output terminal
54	FAN-CONT	0	Fan drive control signal output terminal.
55	IN DIMMER	0	Dimmer detection signal input terminal.
56	LPF1	0	LPF control signal output terminal. H : stereo, L : Mono
57	LPF2	0	LPF control signal output terminal. H : Mono, L : stereo
58	REAR A-MUTE	0	Mute signal output terminal for REAR-DVD output.
59	NC	-	No connect terminal.
60	VCC	-	Power supply connect terminal.
61	REMOCON SW	0	Control signal output terminal to Remote control input switching. H : Remote control EYE-IN, L : NOSE Remote control
62	VSS	-	GND connect terminal.
63	NC	-	No connect terminal.
64	AI BUS RST	0	Reset signal output terminal to Ai-NET BUS-IC.
65	AI BUS R/W	0	Register R/W select output terminal to Ai-NET BUS-IC.
66	AI BUS RS	0	Register select output terminal to Ai-NET BUS-IC.
67	AI BUS STS	1	Serial data input terminal from Ai-NET BUS-IC.

DVA-7996R

No.	Symbol	I/O	Terminal Description
68	AI BUS CMD	0	Serial data output terminal to Ai-NET BUS-IC.
69	AI BUS CLK	0	Serial clock output terminal to Ai-NET BUS-IC.
70	NC	-	No connect terminal.
71	AI BUS INT	I	Interrupt signal input terminal from Ai-NET BUS-IC.
72	RDS FIN	I	Frame signal input terminal from RDS u-COM.
73	NC	-	No connect terminal.
74			
75	RDS F-OUT	0	Data output terminal to RDS u-COM.
76	NC	-	No connect terminal.
77			
79			
80	T-AMUTE	I	Mute signal input terminal from RDS u-COM.
81	DOOR LED	0	DOOR LED lighting control output terminal.
82	LIMIT SW-1 (OPEN)	I	Open Limit switch signal input terminal.
83	LIMIT SW-2 (CLOSE)	I	Close Limit switch signal input terminal.
84	MOTOR ON	0	Power supply control signal output terminal for Unizon Wing Motor.
85	MOTOR FOR	0	Unizon Wing Motor forward driving signal output terminal.
86	MOTOR REV	0	Unizon Wing Motor backward driving signal output terminal.
87	AUDIO	I	A/D Data input terminal from Audio level signal.
88	NC	-	No connect terminal.
89	AREA	I	Area set up/function definition terminal.
90	NC	-	No connect terminal.
91			
92	Hi-TEMP	I	CD mechanism temperature detection signal input terminal.
93	NC	-	No connect terminal.
94	AVSS	-	GND connect terminal of A/D converter.
95	NOSE DET	I	DF NOSE ON detect terminal.
96	VREF	I	Standard voltage input terminal of A/D converter.
97	AVCC	I	Power supply input terminal of A/D converter.
98	NC	-	No connect terminal.
99			
100	SYS RST	0	Reset signal output terminal to System Power-IC(L5952).

M30800FCGP : IC10 (DV36T02B)

No.	Symbol	I/O	Description
1	MCHLED	0	The terminal light LED during Mechanism data access.
2	AMUTE	0	Audio-Mute terminal.
3	NC	-	No connect terminal.
4	EJECT	I	EJECT Key input terminal.
5	FG	I	Pulse input terminal of Motor rotation.
6	PULL-UP	-	Pull-up connect terminal.
7	VSS(T PGM/OE/MD)	-	Connect to VSS.
8	NC	-	No connect terminal.
9			
10	/RESET(T RESET)	-	RESET circuit terminal. : RESET ON at Low
11	XOUT	-	15.1MHz ceramic clock connect terminal.
12	VSS	-	Connect to GND.

No.	Symbol	I/O	Terminal Description
13	XIN	-	15.1MHz ceramic clock connect terminal.
14	VCC	-	Connect to +5V.
15	PULL-UP	-	Pull-up connect terminal.
16	92/MINT2	I	MINT2 interrupt signal input terminal from TC9469BF.
17	92/MINT1	I	MINT1 interrupt signal input terminal from TC9469BF.
18	97/MINT	I	MINT interrupt signal input terminal from TC9497F.
19	E2PSDA	0	Two-wire SDA signal terminal for E2PROM communication.
20	E2PSCL	0	Two-wire SCL signal terminal for E2PROM communication.
21	TEST3	-	TEST3 terminal.
22	TEST2	-	TEST2 terminal.
23	TEST1	-	TEST1 terminal.
24	EQF(NC)	-	No connect terminal.
25	NC(VCONT)		
26	NC		
27			
28	LMTSW	I	LIMIT SW terminal from Mechanism SW.
29	D232COUT(T TXD)	0	Debug string output terminal. : 232C 9600 b8 s1 output
30	D232CIN(T RXD)	I	Debug string input terminal. : 232C 9600 b8 s1 input
31	NC(T SCLK)	-	No connect terminal.
32	NC(T BUSY)		
33	H232COUT	0	232C 9600 b8 s1 output terminal for host communication.
34	H232CIN	I	232C 9600 b8 s1 input terminal for host communication.
35	PS	0	Output terminal of SPINDLE MUTE signal.
36	SRV MUTE	0	Output terminal of SERVO MUTE signal.
37	PULL-UP	-	Pull-up connect terminal.
38	START	0	The first set up SW terminal.
39	PULL-UP(EPM)	-	Pull-up connect terminal.
40	NC	-	No connect terminal.
41			
42	MOTOR2	0	Mechanism : MOTOR2 signal terminal.
43	MOTOR1	0	Mechanism : MOTOR1 signal terminal.
44	NC(CE)	-	No connect terminal.
45	NC		
46	92/MCE	0	Output terminal of MCE signal to TC9469BF.
47	92/MWR	0	Output terminal of MWR signal to TC9469BF.
48	92/MRD	0	Output terminal of MRD signal to TC9469BF.
49	97/MCE	0	Output terminal of MCE signal to TC9497F.
50	97/MWR	0	Output terminal of MWR signal to TC9497F.
51	97/MRD	0	Output terminal of MRD signal to TC9497F.
52	97/MA	0	Output terminal of MA signal to TC9497F.
53	97MD7	I/O	Input/output terminal of MD signal to TC9497F.
54	97MD6		
55	97MD5		
56	97MD4		
57	97MD3		
58	97MD2		
59	97MD1		
60	VCC	-	Connect to +5V.
61	97MD0	I/O	Input/output terminal of MD signal to TC9497F.

DVA-7996R

No.	Symbol	I/O	Terminal Description
62	VSS	-	Connect to GND.
63	NC	-	No connect terminal.
64	MA6	0	Output terminal of MA signal to TC9469BF.
65	MA5		
66	MA4		
67	MA3		
68	MA2		
69	MA1		
70	MA0		
71	NC(/B-HOLD)	-	No connect terminal.
72	NC(/ACC)	-	No connect terminal.
73	/LDCNT	0	Output terminal of /LDCNT signal.
74	/FDCNT	0	Output terminal of /FDCNT signal.
75	LDCNT	0	Output terminal of LDCNT signal.
76	FDCNT	0	Output terminal of FDCNT signal.
77	97/RST	0	LSI reset terminal of system SERVO.
78	92/RST	0	LSI reset terminal of system ATAPI.
79	MD7	I/O	Input/output terminal of MD signal to TC9469BF.
80	MD6		
81	MD5		
82	MD4		
83	MD3		
84	MD2		
85	MD1		
86	MD0		
87	PHOTO1	I	System Mechanism SW terminal.
88	PHOTO2		
89	PHOTO3		
90	SW1	I	Mechanism : Chucking SW terminal.
91	NC	-	No connect terminal.
92			
93	HTMP	I	High-temperature detection signal terminal.
94	AVSS	-	Connect to GND.
95	LTMP	I	Low-temperature detection signal terminal.
96	VREF	-	Connect to +5V.
97	AVCC		
98	NC	-	No connect terminal.
99			
100			

Electrical Parts List

Capacitor : μ F=microfarads,pF=picofarads

Abbreviations			Symbol No.	Part No.	Description
RES. = Resistor		CAP. = Capacitor	0006	48T64222F01	TR , UN2211 10-10 -TX
C.F. = Carbon Film		ELY. = Electrolytic	0008	48T45594W12	TR , XN1A312 -TX-CP
M.F. = Metal Film		CER. = Ceramic	0201	48T64222F02	TR , UN2212 22-22 -TX
M.O. = Metal Oxide Film		MYL. = Mylar	0202	48T45594W08	TR , XN1212 -TX-CP
M.P. = Metal Plate		TAN. = Tantalum	0302	48T64222F02	TR , UN2212 22-22 -TX
TR. = Transistor		POLY. = Polystyrol	0303	48T45594W12	TR , XN1A312 -TX-CP
TRANS. = Transformer		PP. = Polypropylene	0304	48T64222F02	TR , UN2212 22-22 -TX
CP. = Chip		PLT. = Polyethylene	0305	48T45594W12	TR , XN1A312 -TX-CP
		PF. = Polyester Film	0306	48T25317Y01	TR , XNOF256-TX -CP
Symbol No.	Part No.	Description	0307	48T25317Y01	TR , XNOF256-TX -CP
Main P.W. Board					
IC' s					
IC002	51T15132Y02	SAA6588T -SE9	0308	48T25317Y01	TR , XNOF256-TX -CP
IC003	51T35566Y60	MTP, D78F4216AGCXXX0T	0309	48T25317Y01	TR , XNOF256-TX -CP
IC004	51T25160Y01	M24C04-WMN6T -SE2	0501	48T64221F13	TR , UN211H-TX -CP
IC202	51T25576W08	NJM4580ED-TE2 -SE2	0502	48T64222F02	TR , UN2212 22-22 -TX
IC203	51T25576W08	NJM4580ED-TE2 -SE2	0503	48T45594W12	TR , XN1A312 -TX-CP
IC204	51T25576W08	NJM4580ED-TE2 -SE2	0504	48T64222F01	TR , UN2211 10-10 -TX
IC205	51T25576W08	NJM4580ED-TE2 -SE2	0505	48T52437F05	TR , 2SB709A-S /TX-CP
IC206	51T25576W08	NJM4580ED-TE2 -SE2	0506	48T64222F01	TR , UN2211 10-10 -TX
IC207	51T25576W08	NJM4580ED-TE2 -SE2	0507	48T63417F01	TR , CP. 2SC2412K -96
IC208	51T15605Y01	NJM2130F-TE1 -CP	0508	48T63420F01	TR , 2SA1037AK-146 -CP
IC209	51T15456Y01	TC74HC4066AFT-EL-SE5	0509	48T63788F04	TR , CP. 2SD1328-T -TX
IC210	51T15420Y01	BA4560F-E2 -SE2	0510	48T63417F01	TR , CP. 2SC2412K -96
IC302	51T25576W08	NJM4580ED-TE2 -SE2	0701	48T64221F02	TR , UN2112 22-22 -TX
IC501	51T45460Y36	MTP, M30803FGGPXXX-0T	0801	48T45594W12	TR , XN1A312 -TX-CP
IC502	51T15720Y10	S-80930ANMP-T2 -CP	0802	48T69176F02	TR , 2SC3421-Y
IC503	51T15194Y01	TC74VHCT08AFT-EL-SE5	0803	48T45594W12	TR , XN1A312 -TX-CP
IC504	51T93532F04	IC , TC4S81F -CP	0804	48T93828F04	TR , 2SD1994A-S-TA -RD
IC505	51T93532F05	TC4S01F-TE85L -CP	0805	48T93828F04	TR , 2SD1994A-S-TA -RD
IC506	51T45178W03	TC4W53FU-TE12L -SE1	0806	48T45594W12	TR , XN1A312 -TX-CP
IC508	51T45605Y01	TC7SH00FU-TE85L -CP	0807	48T93828F04	TR , 2SD1994A-S-TA -RD
IC701	51T55070W05	MB88385CPF-ER -SE9	0808	48T93828F04	TR , 2SD1994A-S-TA -RD
IC801	51T45336Y01	L5952 -ZS	0809	48T45594W16	TR , XN1A311-TX -CP
IC802	51T25045Y03	AN7705SP-TX -NE5	0810	48T93828F04	TR , 2SD1994A-S-TA -RD
IC803	51T45659Y02	BA00BC6WFP-E2 -NE5	0811	48T64222F02	TR , UN2212 22-22 -TX
IC805	51T25045Y03	AN7705SP-TX -NE5	0812	48T84366F01	TR , 2SB1243-PQR-V2-RD
IC806	51T75191W05	AN7707F +	0813	48T64222F12	TR , UN221L-TX -CP
IC807	51T25189Y01	S-81233SGUP-T1 -NE2	0814	48T45594W12	TR , XN1A312 -TX-CP
IC808	51T25448Y01	BA6219BFP-Y-E2 -SE9	0815	48T45594W16	TR , XN1A311-TX -CP
Transistors					
0001	48T52437F05	TR , 2SB709A-S /TX-CP	0816	48T64221F11	TR , UN211L-TX -CP
0002	48T45594W16	TR , XN1A311-TX -CP	0817	48T64222F02	TR , UN2212 22-22 -TX
0003	48T64221F13	TR , UN211H-TX -CP	0818	48T45594W16	TR , XN1A311-TX -CP
			0819	48T95577W01	TR , 2SB1434-RS -RD
			0820	48T64222F11	TR , UN221F-TX -CP
			0821	48T69176F02	TR , 2SC3421-Y
			0822	48T45594W16	TR , XN1A311-TX -CP
			0823	48T45594W16	TR , XN1A311-TX -CP

DVA-7996R

Symbol No.	Part No.	Description
0824	48T93828F04	TR, 2SD1994A-S-TA -RD
0825	48T45594W16	TR, XN1A311-TX -CP
0826	48T35548Y04	TR, 2SB710A-S-TX -CP
0827	48T64222F02	TR, UN2212 22-22 -TX
Diodes		
D001	48T85357W01	D10, 1PS226 -CP
D002	48T25665Y01	D10, 1SS355-TE17 -CP
D003	48T25665Y01	D10, 1SS355-TE17 -CP
D201	48T25665Y01	D10, 1SS355-TE17 -CP
D301	48T25665Y01	D10, 1SS355-TE17 -CP
D302	48T25665Y01	D10, 1SS355-TE17 -CP
D305	48T25651W01	D10, CP MA152WA
D306	48T25651W01	D10, CP MA152WA
D307	48T25651W01	D10, CP MA152WA
D308	48T25651W01	D10, CP MA152WA
D501	48T25665Y01	D10, 1SS355-TE17 -CP
D502	48T25665Y01	D10, 1SS355-TE17 -CP
D503	48T25651W02	D10, MA152WK-TX -CP
D504	48T25665Y01	D10, 1SS355-TE17 -CP
D701	48T44813F03	D10, MA165 -R5
D801	48T25593Y01	D10, S1G-6601 -E1
D802	48T81063F01	D10, CP, MA159 / TX-CP
D803	48T25665Y01	D10, 1SS355-TE17 -CP
D804	48T25593Y01	D10, S1G-6601 -E1
D805	48T25665Y01	D10, 1SS355-TE17 -CP
D806	48T25651W02	D10, MA152WK-TX -CP
D807	48T94335F02	D10, MA153A-TX -CP
D808	48T25593Y01	D10, S1G-6601 -E1
ZD501	48T84735F05	D10, ZEN, MA3051-M -CP
ZD701	48T84735F08	D10, ZEN, MA3056-M -CP
ZD702	48T84735F18	D10, ZEN, MA3075-H -CP
ZD703	48T84735F18	D10, ZEN, MA3075-H -CP
ZD801	48T25064Y02	D10, ZEN, ZSH5MA27A-ED
ZD802	48T25766W24	D10, ZEN, HZS 9C1L -R5
ZD803	48T25766W36	D10, ZEN, HZS12A1L -R5
ZD804	48T62934F14	D10, ZEN, RD4, 3MB3 -CP
ZD805	48T25766W38	D10, ZEN, HZS12A3L -R5
ZD806	48T25766W28	D10, ZEN, HZS11A2L -R5
ZD807	48T25766W14	D10, ZEN, HZS 7B2L -R5
ZD808	48T25766W24	D10, ZEN, HZS 9C1L -R5
ZD809	48T25766W24	D10, ZEN, HZS 9C1L -R5
Coils		
L001	24T25164Y21	IND, FSLM2520 4R7J-CP

Symbol No.	Part No.	Description
L003	24T35286Y01	IND, MG56 523J -DB
L005	24T45464Y02	FBI, BLM18HG471SN1-CP
L006	24T45464Y02	FBI, BLM18HG471SN1-CP
L501	24T65053W22	IND, LAL02VD 100K -R5
L502	24T35246Y01	IND, LEM2520 15RJ -CP
L503	24T35246Y14	IND, LEM2520 10RJ -CP
L504	24T35246Y12	IND, LEM2520 6R8J -CP
L505	24T95456W12	FBI, BLM18AG102SH1-CP
Filters		
CF001	91T75257W02	LPF, LPF11830KH-3C-DB
Z001	91T65112W06	EMI, BK2125HM102 -CP
Z002	91T65112W06	EMI, BK2125HM102 -CP
Z003	91T65112W06	EMI, BK2125HM102 -CP
Z004	91T45556Y06	EMI, NFM21HC102R1H-CP
Z502	91T75198W05	EMI, NFE61PT472C1H-E1
Crystals		
XL001	91T85169W18	XTL, HC-49 4.332M -R5
XL002	91T85169W99	XTL, HC-49 12.288M-R5
XL501	91T45119W07	XTL, AT-51 20.000M +
XL701	91T95099W04	XTL, CM309S 4.000M-E9
Switch		
SW301	40T45282W02	SW, SLIDE SLD-42-508X (Ai-NET(EQ/DIV/NORM))
LED's		
LD501	48T65477W05	LED, SML-010D7T87 -CP(AMB)
LD502	48T65477W05	LED, SML-010D7T87 -CP(AMB)
Buzzer		
BZ801	50T85541W01	BUZZER, CD11PA-XZ -H5
Surge Absorber		
SA001	48T81909F01	PTT, DSP-201M -A1

Symbol No.	Part No.	Description	Symbol No.	Part No.	Description
Thermistor					
TH501	48T25250Y01	TMT, ERTJ1V104J -CP	C228	08S35349Y09	CAP, CER 122K-B1H -CP
Capacitors			C229	08S35349Y09	CAP, CER 122K-B1H -CP
C004	08S4567W80	CAP, CER 223K-B1E -CP	C230	08S4567W48	CAP, CER. 331J-CH1H-CP
C005	08S4567W60	CAP, CER 102J-CH1H-CP	C231	08S4567W48	CAP, CER. 331J-CH1H-CP
C006	08S4567W80	CAP, CER 223K-B1E -CP	C232	08S4567W60	CAP, CER 102J-CH1H-CP
C007	08S35350Y04	CAP, CER 105K-B1C -CP	C233	08S4567W60	CAP, CER 102J-CH1H-CP
C008	08S4567W85	CAP, CER 104K-B1C -CP	C234	08S4567W12	CAP, CER. 10RD-CH1H-CP
C011	08S4567W16	CAP, CER. 15RJ-CH1H-CP	C235	08S4567W12	CAP, CER. 10RD-CH1H-CP
C012	08S4567W65	CAP, CER. 222K-B1H -CP	C236	08S4567W80	CAP, CER 223K-B1E -CP
C013	08S4567W89	CAP, CER 473K-B1E -CP	C238	08S4567W80	CAP, CER 223K-B1E -CP
C014	08S4567W80	CAP, CER 223K-B1E -CP	C239	08S35350Y05	CAP, CER 105K-B1A -CP
C015	08S4567W14	CAP, CER. 12RJ-CH1H-CP	C240	08T25191Y04	CAP, CER 225K-B1A -CP
C016	08S4567W85	CAP, CER 104K-B1C -CP	C241	08S35350Y05	CAP, CER 105K-B1A -CP
C017	08S4567W22	CAP, CER. 27RJ-CH1H-CP	C242	08S35350Y03	CAP, CER 224K-B1C -CP
C018	08S4567W22	CAP, CER. 27RJ-CH1H-CP	C243	08S4567W80	CAP, CER 223K-B1E -CP
C019	08S4567W65	CAP, CER. 222K-B1H -CP	C244	08S4567W12	CAP, CER. 10RD-CH1H-CP
C020	08S4567W80	CAP, CER 223K-B1E -CP	C245	08S4567W12	CAP, CER. 10RD-CH1H-CP
C021	08S4567W48	CAP, CER. 331J-CH1H-CP	C246	08S4567W80	CAP, CER 223K-B1E -CP
C023	08S4567W80	CAP, CER 223K-B1E -CP	C252	08S4567W12	CAP, CER. 10RD-CH1H-CP
C024	08S4567W36	CAP, CER. 101J-CH1H-CP	C253	08S4567W12	CAP, CER. 10RD-CH1H-CP
C025	08S4567W65	CAP, CER. 222K-B1H -CP	C260	08S4567W12	CAP, CER. 10RD-CH1H-CP
C026	08S4567W54	CAP, CER 561J-CH1H-CP	C261	08S4567W12	CAP, CER. 10RD-CH1H-CP
C029	08S4567W36	CAP, CER. 101J-CH1H-CP	C263	08S4567W25	CAP, CER 36RJ-CH1H-CP
C030	08S4567W80	CAP, CER 223K-B1E -CP	C315	08S35350Y05	CAP, CER 105K-B1A -CP
C031	08S4567W85	CAP, CER 104K-B1C -CP	C316	08S35350Y05	CAP, CER 105K-B1A -CP
C032	08S4567W80	CAP, CER 223K-B1E -CP	C317	08S35350Y05	CAP, CER 105K-B1A -CP
C033	08S4567W85	CAP, CER 104K-B1C -CP	C318	08S35350Y05	CAP, CER 105K-B1A -CP
C036	08S4567W36	CAP, CER. 101J-CH1H-CP	C503	08S4567W14	CAP, CER. 12RJ-CH1H-CP
C212	08S4567W49	CAP, CER 361J-CH1H-CP	C504	08S4567W14	CAP, CER. 12RJ-CH1H-CP
C213	08S4567W49	CAP, CER 361J-CH1H-CP	C505	08S4567W80	CAP, CER 223K-B1E -CP
C214	08S4567W44	CAP, CER. 221J-CH1H-CP	C507	08S4567W85	CAP, CER 104K-B1C -CP
C215	08S4567W44	CAP, CER. 221J-CH1H-CP	C508	08S4567W89	CAP, CER 473K-B1E -CP
C216	08S4567W49	CAP, CER 361J-CH1H-CP	C509	08S4567W80	CAP, CER 223K-B1E -CP
C217	08S4567W49	CAP, CER 361J-CH1H-CP	C511	08S4567W80	CAP, CER 223K-B1E -CP
C218	08S4567W12	CAP, CER. 10RD-CH1H-CP	C519	08S4567W80	CAP, CER 223K-B1E -CP
C219	08S4567W12	CAP, CER. 10RD-CH1H-CP	C520	08S4567W85	CAP, CER 104K-B1C -CP
C220	08S4567W49	CAP, CER 361J-CH1H-CP	C521	08S4567W80	CAP, CER 223K-B1E -CP
C221	08S4567W49	CAP, CER 361J-CH1H-CP	C522	08S4567W65	CAP, CER. 222K-B1H -CP
C222	08S4567W44	CAP, CER. 221J-CH1H-CP	C523	08S4567W36	CAP, CER. 101J-CH1H-CP
C223	08S4567W44	CAP, CER. 221J-CH1H-CP	C524	08S4567W85	CAP, CER 104K-B1C -CP
C224	08S4567W49	CAP, CER 361J-CH1H-CP	C525	08S4567W85	CAP, CER 104K-B1C -CP
C225	08S4567W49	CAP, CER 361J-CH1H-CP	C526	08S4567W80	CAP, CER 223K-B1E -CP
C226	08S4567W12	CAP, CER. 10RD-CH1H-CP	C527	08S4567W28	CAP, CER 47RJ-CH1H-CP
C227	08S4567W12	CAP, CER. 10RD-CH1H-CP	C528	08S4567W30	CAP, CER. 56RJ-CH1H-CP
			C529	08S4567W26	CAP, CER. 39RJ-CH1H-CP
			C530	08S4567W14	CAP, CER. 12RJ-CH1H-CP
			C531	08S4567W85	CAP, CER 104K-B1C -CP
			C532	08S4567W85	CAP, CER 104K-B1C -CP
			C533	08S4567W85	CAP, CER 104K-B1C -CP

DVA-7996R

Symbol No.	Part No.	Description	Symbol No.	Part No.	Description
C534	08S65128F78	CAP, CER. 223K-B1H -CP	E215	23S65134W72	CAP, ELY 3R3-1H(4)-E2
C535	08S45677W42	CAP, CER. 181J-CH1H-CP	E216	23S45639Y22	CAP, ELY 1R0-1H -R2
C536	08S45677W42	CAP, CER. 181J-CH1H-CP	E217	23S45639Y22	CAP, ELY 1R0-1H -R2
C539	08S45677W60	CAP, CER 102J-CH1H-CP	E218	23S45639Y22	CAP, ELY 1R0-1H -R2
C540	08S45677W60	CAP, CER 102J-CH1H-CP	E219	23S45639Y22	CAP, ELY 1R0-1H -R2
C701	08S45677W22	CAP, CER. 27RJ-CH1H-CP	E220	23S45639Y24	CAP, ELY 3R3-1H -R2
C702	08S45677W20	CAP, CER. 22RJ-CH1H-CP	E221	23S45639Y24	CAP, ELY 3R3-1H -R2
C703	08S45677W36	CAP, CER. 101J-CH1H-CP	E222	23S45639Y22	CAP, ELY 1R0-1H -R2
C705	08S45676W85	CAP, CER 104K-B1C -CP	E223	23S45639Y22	CAP, ELY 1R0-1H -R2
C802	08T55390W34	CAP, TF 274J-1H -R5	E224	23S45639Y22	CAP, ELY 1R0-1H -R2
C804	08S45676W80	CAP, CER 223K-B1E -CP	E225	23S45639Y22	CAP, ELY 1R0-1H -R2
C805	08S45676W80	CAP, CER 223K-B1E -CP	E226	23S45639Y22	CAP, ELY 1R0-1H -R2
C806	08S45676W80	CAP, CER 223K-B1E -CP	E227	23S45639Y22	CAP, ELY 1R0-1H -R2
C807	08S45676W80	CAP, CER 223K-B1E -CP	E228	23S45639Y08	CAP, ELY 22R-1C -R2
C808	08S45676W80	CAP, CER 223K-B1E -CP	E230	23S45639Y23	CAP, ELY 2R2-1H -R2
C809	08S45676W80	CAP, CER 223K-B1E -CP	E231	23S45639Y23	CAP, ELY 2R2-1H -R2
C810	08S45676W80	CAP, CER 223K-B1E -CP	E232	23S45639Y22	CAP, ELY 1R0-1H -R2
C811	08S45676W80	CAP, CER 223K-B1E -CP	E233	23S45639Y22	CAP, ELY 1R0-1H -R2
C813	08S45676W80	CAP, CER 223K-B1E -CP	E234	23S45639Y23	CAP, ELY 2R2-1H -R2
C815	08S45676W80	CAP, CER 223K-B1E -CP	E235	23S45639Y23	CAP, ELY 2R2-1H -R2
C817	08S45676W80	CAP, CER 223K-B1E -CP	E236	23S45639Y22	CAP, ELY 1R0-1H -R2
C818	08S45676W80	CAP, CER 223K-B1E -CP	E237	23S45639Y22	CAP, ELY 1R0-1H -R2
C819	08S45676W80	CAP, CER 223K-B1E -CP	E238	23S45639Y23	CAP, ELY 2R2-1H -R2
C820	08S45676W80	CAP, CER 223K-B1E -CP	E239	23S45639Y23	CAP, ELY 2R2-1H -R2
C821	08S45676W80	CAP, CER 223K-B1E -CP	E240	23S45639Y22	CAP, ELY 1R0-1H -R2
C822	08S45676W80	CAP, CER 223K-B1E -CP	E241	23S45639Y22	CAP, ELY 1R0-1H -R2
C823	08S45676W80	CAP, CER 223K-B1E -CP	E249	23S45639Y08	CAP, ELY 22R-1C -R2
C824	08S45676W80	CAP, CER 223K-B1E -CP	E252	23S45639Y13	CAP, ELY 4R7-1V -R2
C827	08S45676W80	CAP, CER 223K-B1E -CP	E253	23S45639Y08	CAP, ELY 22R-1C -R2
C828	08S45676W80	CAP, CER 223K-B1E -CP	E306	23S45639Y24	CAP, ELY 3R3-1H -R2
C829	08S45676W80	CAP, CER 223K-B1E -CP	E307	23S45639Y24	CAP, ELY 3R3-1H -R2
C831	08S35350Y03	CAP, CER 224K-B1C -CP	E308	23S45639Y24	CAP, ELY 3R3-1H -R2
C832	08T55390W34	CAP, TF 274J-1H -R5	E309	23S45639Y24	CAP, ELY 3R3-1H -R2
C833	08S65128F78	CAP, CER. 223K-B1H -CP	E310	23S45639Y24	CAP, ELY 3R3-1H -R2
C840	08S45676W80	CAP, CER 223K-B1E -CP	E311	23S45639Y24	CAP, ELY 3R3-1H -R2
C841	08S45676W80	CAP, CER 223K-B1E -CP	E312	23S65134W34	CAP, ELY 47R-1C(6)-E6
C842	08S45676W80	CAP, CER 223K-B1E -CP	E501	23S45639Y06	CAP, ELY 221-1A -R2
E003	23S45639Y07	CAP, ELY 10R-1C -R2	E502	23S45639Y08	CAP, ELY 22R-1C -R2
E004	23S65134W51	CAP, ELY 2R2-1V(3)-E2	E503	23S45639Y08	CAP, ELY 22R-1C -R2
E005	23S65134W11	CAP, ELY 22R-0J(4)-E2	E505	23S65134W32	CAP, ELY 22R-1C(5)-E3
E006	23S45639Y06	CAP, ELY 221-1A -R2	E506	23S45639Y05	CAP, ELY 101-1A -R2
E007	23S45639Y07	CAP, ELY 10R-1C -R2	E507	23S45639Y08	CAP, ELY 22R-1C -R2
E008	23S45639Y07	CAP, ELY 10R-1C -R2	E508	23S55044Y01	CAP, ELY 471-1C -R3
E009	23S45639Y06	CAP, ELY 221-1A -R2	E701	23S45639Y08	CAP, ELY 22R-1C -R2
E210	23S65134W72	CAP, ELY 3R3-1H(4)-E2	E801	23T35505W09	CAP, ELY 472-1C +
E211	23S65134W72	CAP, ELY 3R3-1H(4)-E2	E805	23S45639Y05	CAP, ELY 101-1A -R2
E212	23S45639Y22	CAP, ELY 1R0-1H -R2	E806	23S45639Y09	CAP, ELY 47R-1C -R2
E213	23S45639Y22	CAP, ELY 1R0-1H -R2	E807	23S45639Y09	CAP, ELY 47R-1C -R2
E214	23S65134W72	CAP, ELY 3R3-1H(4)-E2	E808	23S45639Y09	CAP, ELY 47R-1C -R2

Symbol No.	Part No.	Description	Symbol No.	Part No.	Description
E809	23S45639Y09	CAP, ELY 47R-1C -R2	R026	06S55365Y65	RES, RK 102J 1/10 -CP
E811	23S45639Y08	CAP, ELY 22R-1C -R2	R028	06S55365Y81	RES, RK 472J 1/10 -CP
E813	23S45639Y09	CAP, ELY 47R-1C -R2	R029	06S55365Y81	RES, RK 472J 1/10 -CP
E815	23S45639Y09	CAP, ELY 47R-1C -R2	R030	06S55365Y65	RES, RK 102J 1/10 -CP
E817	23S45639Y09	CAP, ELY 47R-1C -R2	R031	06S55365Y65	RES, RK 102J 1/10 -CP
E818	23S45639Y09	CAP, ELY 47R-1C -R2	R032	06S55365Y65	RES, RK 102J 1/10 -CP
E819	23S45639Y08	CAP, ELY 22R-1C -R2	R033	06S55365Y89	RES, RK 103J 1/10 -CP
E820	23S45639Y05	CAP, ELY 101-1A -R2	R035	06S55365Y65	RES, RK 102J 1/10 -CP
E821	23S45639Y06	CAP, ELY 221-1A -R2	R037	06S55365Y51	RES, RK 271J 1/10 -CP
E822	23S45639Y08	CAP, ELY 22R-1C -R2	R038	06S55365Y51	RES, RK 271J 1/10 -CP
E823	23S45639Y08	CAP, ELY 22R-1C -R2	R039	06S55365Y89	RES, RK 103J 1/10 -CP
E824	23S45639Y07	CAP, ELY 10R-1C -R2	R040	06S55366Y06	RES, RK 473J 1/10 -CP
E825	23S45639Y09	CAP, ELY 47R-1C -R2	R041	06S55365Y97	RES, RK 223J 1/10 -CP
E826	23S45639Y22	CAP, ELY 1R0-1H -R2	R042	06S55365Y97	RES, RK 223J 1/10 -CP
E827	23S45639Y10	CAP, ELY 101-1C -R2	R043	06S55365Y97	RES, RK 223J 1/10 -CP
E828	23S45639Y08	CAP, ELY 22R-1C -R2	R044	06S55365Y97	RES, RK 223J 1/10 -CP
E829	23S45639Y08	CAP, ELY 22R-1C -R2	R045	06S55366Y39	RES, RK JUMPER1/10-CP
E830	23S45639Y17	CAP, ELY 0R1-1H -R2	R046	06S55365Y81	RES, RK 472J 1/10 -CP
E831	23S45639Y07	CAP, ELY 10R-1C -R2	R047	06S55365Y81	RES, RK 472J 1/10 -CP
E832	23S45639Y09	CAP, ELY 47R-1C -R2	R048	06S55361Y49	RES, RK 221J 1/4 -CP
E833	23S45639Y08	CAP, ELY 22R-1C -R2	R049	06S55365Y41	RES, RK 101J 1/10 -CP
E834	23S45639Y08	CAP, ELY 22R-1C -R2	R050	06S55365Y41	RES, RK 101J 1/10 -CP
E836	23S45639Y08	CAP, ELY 22R-1C -R2	R051	06S55366Y39	RES, RK JUMPER1/10-CP
E837	23S45639Y08	CAP, ELY 22R-1C -R2	R052	06S55366Y39	RES, RK JUMPER1/10-CP
E838	23S45639Y09	CAP, ELY 47R-1C -R2	R053	06S55366Y06	RES, RK 473J 1/10 -CP
E839	23S45639Y07	CAP, ELY 10R-1C -R2	R054	06S55366Y06	RES, RK 473J 1/10 -CP
Resistors			R055	06S55366Y06	RES, RK 473J 1/10 -CP
R001	06S70072F05	RES, CP .10R-J-1/4-CP	R056	06S55366Y06	RES, RK 473J 1/10 -CP
R004	06S55366Y30	RES, RK 474J 1/10 -CP	R208	06S55366Y12	RES, RK 823J 1/10 -CP
R008	06S55366Y39	RES, RK JUMPER1/10-CP	R209	06S55366Y12	RES, RK 823J 1/10 -CP
R009	06S55361Y49	RES, RK 221J 1/4 -CP	R210	06S55365Y89	RES, RK 103J 1/10 -CP
R010	06S55365Y81	RES, RK 472J 1/10 -CP	R211	06S55365Y89	RES, RK 103J 1/10 -CP
R011	06S55366Y39	RES, RK JUMPER1/10-CP	R212	06S55365Y86	RES, RK 752J 1/10 -CP
R012	06S55366Y14	RES, RK 104J 1/10 -CP	R213	06S55365Y86	RES, RK 752J 1/10 -CP
R013	06S55366Y06	RES, RK 473J 1/10 -CP	R214	06S55365Y95	RES, RK 183J 1/10 -CP
R014	06S55366Y06	RES, RK 473J 1/10 -CP	R215	06S55365Y95	RES, RK 183J 1/10 -CP
R016	06S55365Y98	RES, RK 243J 1/10 -CP	R216	06S55365Y99	RES, RK 273J 1/10 -CP
R017	06S55366Y14	RES, RK 104J 1/10 -CP	R217	06S55365Y99	RES, RK 273J 1/10 -CP
R018	06S55365Y41	RES, RK 101J 1/10 -CP	R218	06S55365Y91	RES, RK 123J 1/10 -CP
R019	06S55365Y77	RES, RK 332J 1/10 -CP	R219	06S55365Y91	RES, RK 123J 1/10 -CP
R020	06S55361Y69	RES, RK 152J 1/4 -CP	R220	06S55366Y12	RES, RK 823J 1/10 -CP
R021	06S55366Y02	RES, RK 333J 1/10 -CP	R221	06S55366Y12	RES, RK 823J 1/10 -CP
R022	06S55365Y41	RES, RK 101J 1/10 -CP	R222	06S55365Y89	RES, RK 103J 1/10 -CP
R023	06S55365Y73	RES, RK 222J 1/10 -CP	R223	06S55365Y89	RES, RK 103J 1/10 -CP
R024	06S55365Y65	RES, RK 102J 1/10 -CP	R224	06S55365Y86	RES, RK 752J 1/10 -CP
R025	06S55366Y30	RES, RK 474J 1/10 -CP	R225	06S55365Y86	RES, RK 752J 1/10 -CP
			R226	06S55365Y95	RES, RK 183J 1/10 -CP
			R227	06S55365Y95	RES, RK 183J 1/10 -CP
			R228	06S55365Y99	RES, RK 273J 1/10 -CP

DVA-7996R

Symbol No.	Part No.	Description
R229	06S55365Y99	RES, RK 273J 1/10 -CP
R230	06S55365Y91	RES, RK 123J 1/10 -CP
R231	06S55365Y91	RES, RK 123J 1/10 -CP
R232	06S55365Y71	RES, RK 182J 1/10 -CP
R233	06S55365Y71	RES, RK 182J 1/10 -CP
R234	06S55366Y07	RES, RK 513J 1/10 -CP
R235	06S55366Y07	RES, RK 513J 1/10 -CP
R236	06S55365Y74	RES, RK 242J 1/10 -CP
R237	06S55365Y74	RES, RK 242J 1/10 -CP
R238	06S55365Y72	RES, RK 202J 1/10 -CP
R239	06S55365Y72	RES, RK 202J 1/10 -CP
R240	06S55366Y23	RES, RK 244J 1/10 -CP
R241	06S55366Y23	RES, RK 244J 1/10 -CP
R242	06S55365Y77	RES, RK 332J 1/10 -CP
R243	06S55365Y77	RES, RK 332J 1/10 -CP
R244	06S55365Y41	RES, RK 101J 1/10 -CP
R245	06S55365Y41	RES, RK 101J 1/10 -CP
R246	06S55366Y15	RES, RK 114J 1/10 -CP
R247	06S55366Y15	RES, RK 114J 1/10 -CP
R254	06S55365Y96	RES, RK 203J 1/10 -CP
R255	06S55365Y96	RES, RK 203J 1/10 -CP
R256	06S55365Y98	RES, RK 243J 1/10 -CP
R257	06S55365Y98	RES, RK 243J 1/10 -CP
R258	06S55366Y15	RES, RK 114J 1/10 -CP
R259	06S55366Y15	RES, RK 114J 1/10 -CP
R262	06S55366Y39	RES, RK JUMPER1/10-CP
R263	06S55366Y39	RES, RK JUMPER1/10-CP
R264	06S55366Y39	RES, RK JUMPER1/10-CP
R265	06S55366Y39	RES, RK JUMPER1/10-CP
R266	06S55365Y96	RES, RK 203J 1/10 -CP
R267	06S55365Y96	RES, RK 203J 1/10 -CP
R268	06S55365Y98	RES, RK 243J 1/10 -CP
R269	06S55365Y98	RES, RK 243J 1/10 -CP
R270	06S55366Y15	RES, RK 114J 1/10 -CP
R271	06S55366Y15	RES, RK 114J 1/10 -CP
R278	06S55365Y96	RES, RK 203J 1/10 -CP
R279	06S55365Y96	RES, RK 203J 1/10 -CP
R280	06S55365Y98	RES, RK 243J 1/10 -CP
R281	06S55365Y98	RES, RK 243J 1/10 -CP
R282	06S55366Y11	RES, RK 753J 1/10 -CP
R283	06S55365Y63	RES, RK 821J 1/10 -CP
R287	06S55366Y06	RES, RK 473J 1/10 -CP
R288	06S55366Y06	RES, RK 473J 1/10 -CP
R289	06S55365Y91	RES, RK 123J 1/10 -CP
R290	06S55365Y97	RES, RK 223J 1/10 -CP
R291	06S55366Y06	RES, RK 473J 1/10 -CP
R293	06S55366Y06	RES, RK 473J 1/10 -CP
R295	06S55365Y66	RES, RK 112J 1/10 -CP
R297	06S55365Y67	RES, RK 122J 1/10 -CP

Symbol No.	Part No.	Description
R305	06S55366Y14	RES, RK 104J 1/10 -CP
R306	06S55366Y14	RES, RK 104J 1/10 -CP
R307	06S55366Y23	RES, RK 244J 1/10 -CP
R308	06S55366Y23	RES, RK 244J 1/10 -CP
R309	06S55365Y62	RES, RK 751J 1/10 -CP
R310	06S55365Y62	RES, RK 751J 1/10 -CP
R312	06S55365Y89	RES, RK 103J 1/10 -CP
R313	06S55365Y41	RES, RK 101J 1/10 -CP
R315	06S55365Y89	RES, RK 103J 1/10 -CP
R318	06S55365Y83	RES, RK 562J 1/10 -CP
R319	06S55365Y83	RES, RK 562J 1/10 -CP
R320	06S55366Y07	RES, RK 513J 1/10 -CP
R321	06S55366Y07	RES, RK 513J 1/10 -CP
R322	06S55361Y49	RES, RK 221J 1/4 -CP
R323	06S55361Y49	RES, RK 221J 1/4 -CP
R324	06S55361Y41	RES, RK 101J 1/4 -CP
R325	06S55361Y41	RES, RK 101J 1/4 -CP
R326	06S55365Y83	RES, RK 562J 1/10 -CP
R327	06S55365Y83	RES, RK 562J 1/10 -CP
R328	06S55366Y07	RES, RK 513J 1/10 -CP
R329	06S55366Y07	RES, RK 513J 1/10 -CP
R330	06S55361Y49	RES, RK 221J 1/4 -CP
R331	06S55361Y49	RES, RK 221J 1/4 -CP
R332	06S55361Y41	RES, RK 101J 1/4 -CP
R333	06S55361Y41	RES, RK 101J 1/4 -CP
R334	06S55365Y83	RES, RK 562J 1/10 -CP
R335	06S55366Y07	RES, RK 513J 1/10 -CP
R336	06S55366Y07	RES, RK 513J 1/10 -CP
R337	06S55365Y83	RES, RK 562J 1/10 -CP
R338	06S55361Y49	RES, RK 221J 1/4 -CP
R339	06S55361Y49	RES, RK 221J 1/4 -CP
R340	06S55361Y41	RES, RK 101J 1/4 -CP
R341	06S55361Y41	RES, RK 101J 1/4 -CP
R342	06S55365Y83	RES, RK 562J 1/10 -CP
R343	06S55365Y83	RES, RK 562J 1/10 -CP
R344	06S55366Y14	RES, RK 104J 1/10 -CP
R345	06S55366Y14	RES, RK 104J 1/10 -CP
R346	06S55361Y49	RES, RK 221J 1/4 -CP
R347	06S55361Y49	RES, RK 221J 1/4 -CP
R348	06S55361Y41	RES, RK 101J 1/4 -CP
R349	06S55361Y41	RES, RK 101J 1/4 -CP
R350	06S55362Y23	RES, RK 244J 1/4 -CP
R500	06S55366Y39	RES, RK JUMPER1/10-CP
R501	06S55366Y06	RES, RK 473J 1/10 -CP
R502	06S55366Y06	RES, RK 473J 1/10 -CP
R503	06S55365Y65	RES, RK 102J 1/10 -CP
R504	06S55365Y65	RES, RK 102J 1/10 -CP
R505	06S55365Y65	RES, RK 102J 1/10 -CP
R506	06S55365Y41	RES, RK 101J 1/10 -CP

Symbol No.	Part No.	Description	Symbol No.	Part No.	Description
R507	06S55365Y41	RES, RK 101J 1/10 -CP	R567	06S55361Y81	RES, RK 472J 1/4 -CP
R508	06S55365Y41	RES, RK 101J 1/10 -CP	R569	06S55365Y57	RES, RK 471J 1/10 -CP
R509	06S55365Y53	RES, RK 331J 1/10 -CP	R570	06S55365Y57	RES, RK 471J 1/10 -CP
R510	06S55365Y56	RES, RK 431J 1/10 -CP	R571	06S15593Y81	RES, RK 223F 1/10 -CP
R511	06S55365Y41	RES, RK 101J 1/10 -CP	R572	06S15593Y77	RES, RK 153F 1/10 -CP
R512	06S55365Y81	RES, RK 472J 1/10 -CP	R573	06S55365Y83	RES, RK 562J 1/10 -CP
R513	06S55365Y81	RES, RK 472J 1/10 -CP	R574	06S55365Y57	RES, RK 471J 1/10 -CP
R514	06S55366Y06	RES, RK 473J 1/10 -CP	R575	06S55365Y25	RES, RK 22RJ 1/10 -CP
R515	06S55365Y65	RES, RK 102J 1/10 -CP	R576	06S15593Y49	RES, RK 102F 1/10 -CP
R516	06S55365Y65	RES, RK 102J 1/10 -CP	R577	06S15593Y49	RES, RK 102F 1/10 -CP
R517	06S55365Y65	RES, RK 102J 1/10 -CP	R578	06S55363Y49	RES, RK 221J 1/8 -CP
R519	06S55365Y65	RES, RK 102J 1/10 -CP	R579	06S55361Y55	RES, RK 391J 1/4 -CP
R520	06S55366Y06	RES, RK 473J 1/10 -CP	R580	06S55361Y55	RES, RK 391J 1/4 -CP
R526	06S55365Y65	RES, RK 102J 1/10 -CP	R581	06S55366Y31	RES, RK 514J 1/10 -CP
R530	06S55365Y97	RES, RK 223J 1/10 -CP	R582	06S55361Y37	RES, RK 68RJ 1/4 -CP
R531	06S55365Y97	RES, RK 223J 1/10 -CP	R583	06S55361Y89	RES, RK 103J 1/4 -CP
R532	06S55366Y06	RES, RK 473J 1/10 -CP	R584	06S55365Y71	RES, RK 182J 1/10 -CP
R533	06S55365Y81	RES, RK 472J 1/10 -CP	R585	06S55366Y06	RES, RK 473J 1/10 -CP
R534	06S55365Y81	RES, RK 472J 1/10 -CP	R587	06S55365Y65	RES, RK 102J 1/10 -CP
R535	06S55363Y89	RES, RK 103J 1/8 -CP	R589	06S55365Y41	RES, RK 101J 1/10 -CP
R536	06S55363Y65	RES, RK 102J 1/8 -CP	R590	06S55365Y41	RES, RK 101J 1/10 -CP
R537	06S55363Y75	RES, RK 272J 1/8 -CP	R591	06S55365Y65	RES, RK 102J 1/10 -CP
R538	06S55363Y65	RES, RK 102J 1/8 -CP	R592	06S55365Y65	RES, RK 102J 1/10 -CP
R539	06S55363Y65	RES, RK 102J 1/8 -CP	R593	06S55365Y65	RES, RK 102J 1/10 -CP
R540	06S55363Y65	RES, RK 102J 1/8 -CP	R596	06S55366Y39	RES, RK JUMPER1/10-CP
R541	06S55363Y65	RES, RK 102J 1/8 -CP	R597	06S55366Y39	RES, RK JUMPER1/10-CP
R542	06S55363Y65	RES, RK 102J 1/8 -CP	R599	06S55366Y10	RES, RK 683J 1/10 -CP
R543	06S55363Y65	RES, RK 102J 1/8 -CP	R602	06S55364Y39	RES, RK JUMPER 1/8-CP
R544	06S55363Y65	RES, RK 102J 1/8 -CP	R603	06S55364Y39	RES, RK JUMPER 1/8-CP
R545	06S55363Y65	RES, RK 102J 1/8 -CP	R604	06S55363Y49	RES, RK 221J 1/8 -CP
R546	06S55363Y65	RES, RK 102J 1/8 -CP	R606	06S55365Y67	RES, RK 122J 1/10 -CP
R547	06S55365Y97	RES, RK 223J 1/10 -CP	R607	06S55365Y67	RES, RK 122J 1/10 -CP
R548	06S55365Y97	RES, RK 223J 1/10 -CP	R701	06S55361Y31	RES, RK 39RJ 1/4 -CP
R549	06S55365Y97	RES, RK 223J 1/10 -CP	R702	06S55361Y31	RES, RK 39RJ 1/4 -CP
R550	06S55365Y89	RES, RK 103J 1/10 -CP	R703	06S55361Y31	RES, RK 39RJ 1/4 -CP
R552	06S55366Y06	RES, RK 473J 1/10 -CP	R704	06S55361Y31	RES, RK 39RJ 1/4 -CP
R553	06S55366Y06	RES, RK 473J 1/10 -CP	R705	06S55361Y69	RES, RK 152J 1/4 -CP
R554	06S15593Y71	RES, RK 822F 1/10 -CP	R706	06S55361Y73	RES, RK 222J 1/4 -CP
R555	06S15593Y73	RES, RK 103F 1/10 -CP	R707	06S55361Y73	RES, RK 222J 1/4 -CP
R556	06S15593Y63	RES, RK 392F 1/10 -CP	R708	06S55361Y69	RES, RK 152J 1/4 -CP
R557	06S55365Y51	RES, RK 271J 1/10 -CP	R709	06S55361Y17	RES, RK 10RJ 1/4 -CP
R558	06S55365Y41	RES, RK 101J 1/10 -CP	R711	06S55366Y06	RES, RK 473J 1/10 -CP
R559	06S55361Y55	RES, RK 391J 1/4 -CP	R712	06S55366Y06	RES, RK 473J 1/10 -CP
R560	06S55361Y41	RES, RK 101J 1/4 -CP	R801	06S55361Y51	RES, RK 271J 1/4 -CP
R561	06S55365Y77	RES, RK 332J 1/10 -CP	R802	06S55361Y51	RES, RK 271J 1/4 -CP
R562	06S55365Y73	RES, RK 222J 1/10 -CP	R803	06S45348Y31	RES, RK 224F 1/4 -CP
R563	06S55365Y97	RES, RK 223J 1/10 -CP	R804	06S35083Y44	RES, RK 393F 1/4 -CP
R564	06S55366Y30	RES, RK 474J 1/10 -CP	R805	06S55365Y97	RES, RK 223J 1/10 -CP
R565	06S55365Y97	RES, RK 223J 1/10 -CP	R806	06S55366Y06	RES, RK 473J 1/10 -CP

DVA-7996R

Symbol No.	Part No.	Description
R810	06S55365Y97	RES, RK 223J 1/10 -CP
R812	06S55365Y97	RES, RK 223J 1/10 -CP
R813	06S15593Y25	RES, RK 101F 1/10 -CP
R814	06S15593Y60	RES, RK 302F 1/10 -CP
R815	06S15593Y57	RES, RK 222F 1/10 -CP
R817	06S55366Y30	RES, RK 474J 1/10 -CP
R818	06S55361Y52	RES, RK 301J 1/4 -CP
R820	06S55362Y36	RES, RK 824J 1/4 -CP
R822	06S55361Y49	RES, RK 221J 1/4 -CP
R827	06S55361Y29	RES, RK 33RJ 1/4 -CP
R828	06S55361Y29	RES, RK 33RJ 1/4 -CP
R829	06S55361Y29	RES, RK 33RJ 1/4 -CP
R830	06S55361Y29	RES, RK 33RJ 1/4 -CP
R831	06S55361Y29	RES, RK 33RJ 1/4 -CP
R832	06S55361Y29	RES, RK 33RJ 1/4 -CP
R833	06S55361Y47	RES, RK 181J 1/4 -CP
R835	06S55361Y01	RES, RK 2R2J 1/4 -CP
R837	06S55361Y01	RES, RK 2R2J 1/4 -CP
R838	06S55366Y14	RES, RK 104J 1/10 -CP
R839	06S55361Y51	RES, RK 271J 1/4 -CP
R840	06S55366Y33	RES, RK 624J 1/10 -CP
R841	06S55361Y65	RES, RK 102J 1/4 -CP
R842	06S55365Y89	RES, RK 103J 1/10 -CP
R844	06S55365Y98	RES, RK 243J 1/10 -CP
R845	06S55361Y71	RES, RK 182J 1/4 -CP
R846	06S55361Y71	RES, RK 182J 1/4 -CP
R847	06S55362Y39	RES, RK JUMPER 1/4-CP
R848	06S55361Y89	RES, RK 103J 1/4 -CP
R849	06S55361Y81	RES, RK 472J 1/4 -CP
R850	06S55361Y81	RES, RK 472J 1/4 -CP
R851	06S55361Y89	RES, RK 103J 1/4 -CP
R852	06S55366Y06	RES, RK 473J 1/10 -CP
R853	06S55361Y89	RES, RK 103J 1/4 -CP
R854	06S55365Y89	RES, RK 103J 1/10 -CP
R855	06S55362Y36	RES, RK 824J 1/4 -CP
R858	06S55365Y41	RES, RK 101J 1/10 -CP
R859	06S55365Y41	RES, RK 101J 1/10 -CP
R864	06S55361Y73	RES, RK 222J 1/4 -CP
R865	06S55361Y98	RES, RK 243J 1/4 -CP
R866	06S55361Y73	RES, RK 222J 1/4 -CP
R867	06S55361Y73	RES, RK 222J 1/4 -CP
R868	06S55361Y73	RES, RK 222J 1/4 -CP
R869	06S55361Y73	RES, RK 222J 1/4 -CP
R870	06S55362Y39	RES, RK JUMPER 1/4-CP
R871	06S55361Y52	RES, RK 301J 1/4 -CP
R872	06S55361Y51	RES, RK 271J 1/4 -CP
R874	06S55366Y32	RES, RK 564J 1/10 -CP
R877	06S55366Y13	RES, RK 913J 1/10 -CP
R881	06S55361Y01	RES, RK 2R2J 1/4 -CP

Symbol No.	Part No.	Description
R883	06S55361Y01	RES, RK 2R2J 1/4 -CP
R884	06S55361Y16	RES, RK 9R1J 1/4 -CP
R885	06S55361Y16	RES, RK 9R1J 1/4 -CP
R886	06S55361Y16	RES, RK 9R1J 1/4 -CP
R887	06S55361Y16	RES, RK 9R1J 1/4 -CP
R888	06S55361Y98	RES, RK 243J 1/4 -CP
R889	06S55361Y73	RES, RK 222J 1/4 -CP
R890	06S55365Y89	RES, RK 103J 1/10 -CP
R892	06S55365Y89	RES, RK 103J 1/10 -CP
RA001	06S45591W06	RES, ARY MNR102J 4-CP
RA501	06S45591W06	RES, ARY MNR102J 4-CP
RA502	06S45591W06	RES, ARY MNR102J 4-CP
RA503	06S45591W06	RES, ARY MNR102J 4-CP
RA504	06S45591W06	RES, ARY MNR102J 4-CP
RA505	06S45591W06	RES, ARY MNR102J 4-CP
RA506	06S45591W06	RES, ARY MNR102J 4-CP
Connectors		
CB201	09T15372Y30	BTB, 52465-3091 -E9
CB501	09T45442Y45	FFC, 54104-4592 -EQ
CB502	09T25436Y03	WTB, 53253-0310 -DB
CB504	09T45434W15	FFC, 52271-1590 -ED
CB804	09T25436Y02	WTB, 53253-0210 -DB
CB805	09T25436Y02	WTB, 53253-0210 -DB
CH201	09T16072W15	BTB, IMSA9120S-15 -DB
Front P.W. Board		
IC's		
IC401	51T85152W01	LC75883 -QT
IC402	51T25284Y01	SED1526FBA -QT
IC403	51T35614Y01	SBX3050-02 -NE5
IC404	51T55235Y01	TC74VHC595FT-EL -SE5
Transistors		
Q400	48T64222F01	TR ,UN2211 10-10 -TX
Q401	48T52438F04	TR ,2SD601A-S /TX-CP
Q402	48T52438F04	TR ,2SD601A-S /TX-CP
Q403	48T63788F04	TR ,CP. 2SD1328-T -TX
Q404	48T64222F01	TR ,UN2211 10-10 -TX
Q405	48T63788F04	TR ,CP. 2SD1328-T -TX
Q406	48T52438F04	TR ,2SD601A-S /TX-CP

Symbol No.	Part No.	Description
0407	48T73023F01	TR ,2SD874A -E2
0408	48T63788F04	TR ,CP.2SD1328-T -TX
0409	48T52438F04	TR ,2SD601A-S /TX-CP
Diodes		
D401	48T81063F01	DIO, CP. MA159 / TX-CP
D402	48T94471F04	DIO, 1MN10-T108 -CP
D405	48T94335F02	DIO, MA153A-TX -CP
D406	48T94335F02	DIO, MA153A-TX -CP
D407	48T94335F02	DIO, MA153A-TX -CP
D408	48T94335F02	DIO, MA153A-TX -CP
D409	48T94335F02	DIO, MA153A-TX -CP
D410	48T94335F02	DIO, MA153A-TX -CP
D411	48T94335F02	DIO, MA153A-TX -CP
D413	48T25651W02	DIO, MA152WK-TX -CP
ZD401	48T84735F21	DIO, ZEN. MA3082-H -CP
ZD402	48T15541Y23	DIO, ZEN MAZS180 -CP
ZD403	48T15541Y23	DIO, ZEN MAZS180 -CP
ZD404	48T15541Y23	DIO, ZEN MAZS180 -CP
ZD407	48T15541Y23	DIO, ZEN MAZS180 -CP
ZD409	48T62934F26	DIO, ZEN. RD6. 2MB3 -CP
ZD410	48T62934F26	DIO, ZEN. RD6. 2MB3 -CP
LED's		
LD400	48T25534Y01	LED, GRN BG1111C -CP
LD401	48T25534Y09	LED, BLU DB1111C10-CP
LD402	48T25534Y03	LED, AMB AA1111C -CP
LD403	48T25534Y03	LED, AMB AA1111C -CP
LD404	48T25534Y03	LED, AMB AA1111C -CP
LD416	48T25534Y08	LED, AMB FA1111C -CP
LD417	48T25534Y08	LED, AMB FA1111C -CP
LD418	48T25534Y03	LED, AMB AA1111C -CP
LD419	48T25534Y03	LED, AMB AA1111C -CP
LD420	48T25534Y03	LED, AMB AA1111C -CP
LD421	48T25534Y03	LED, AMB AA1111C -CP
LD422	48T25534Y08	LED, AMB FA1111C -CP
LD423	48T25534Y08	LED, AMB FA1111C -CP
LD426	48T45280Y01	LED, WHT NSCWS405T-E2
LD427	48T45280Y01	LED, WHT NSCWS405T-E2
LD428	48T45280Y01	LED, WHT NSCWS405T-E2
LD429	48T45280Y01	LED, WHT NSCWS405T-E2
LD430	48T45280Y01	LED, WHT NSCWS405T-E2
LD431	48T45280Y01	LED, WHT NSCWS405T-E2
LD432	48T25534Y01	LED, GRN BG1111C -CP
LD433	48T25534Y01	LED, GRN BG1111C -CP

Symbol No.	Part No.	Description
LD434	48T25534Y01	LED, GRN BG1111C -CP
LD435	48T25534Y01	LED, GRN BG1111C -CP
LD440	48T25534Y01	LED, GRN BG1111C -CP
LD441	48T25534Y01	LED, GRN BG1111C -CP
LD442	48T25534Y01	LED, GRN BG1111C -CP
LD443	48T25534Y01	LED, GRN BG1111C -CP
LD444	48T25534Y01	LED, GRN BG1111C -CP
LD445	48T25534Y01	LED, GRN BG1111C -CP
LD446	48T25534Y01	LED, GRN BG1111C -CP
LD447	48T25534Y03	LED, AMB AA1111C -CP
LD448	48T25534Y03	LED, AMB AA1111C -CP
LD449	48T25534Y08	LED, AMB FA1111C -CP
LD450	48T25534Y08	LED, AMB FA1111C -CP
LD451	48T25534Y08	LED, AMB FA1111C -CP
LD452	48T25534Y08	LED, AMB FA1111C -CP
LD453	48T25534Y08	LED, AMB FA1111C -CP
LD454	48T25534Y08	LED, AMB FA1111C -CP
LD455	48T25534Y03	LED, AMB AA1111C -CP
LD456	48T25534Y03	LED, AMB AA1111C -CP
LD457	48T25534Y08	LED, AMB FA1111C -CP
LD458	48T25534Y03	LED, AMB AA1111C -CP
LD459	48T25534Y03	LED, AMB AA1111C -CP
Switches		
SW401	40T55656W06	SW, TACT SKQMAJ001-E2 (SOURCE/POWER)
SW402	40T55656W06	SW, TACT SKQMAJ001-E2 (FWD/UP)
SW403	40T55656W06	SW, TACT SKQMAJ001-E2 (CENTER f)
SW404	40T55656W06	SW, TACT SKQMAJ001-E2 (3/PTY/FILE SEARCH)
SW405	40T55656W06	SW, TACT SKQMAJ001-E2 (PLAY/PAUSE/TUNE/A. ME)
SW406	40T55656W06	SW, TACT SKQMAJ001-E2 (TITLE)
SW407	40T55656W06	SW, TACT SKQMAJ001-E2 (4/P/S/REPEAT)
SW408	40T55656W06	SW, TACT SKQMAJ001-E2 (BAND)
SW409	40T55656W06	SW, TACT SKQMAJ001-E2 (T. INFO)
SW410	40T55656W06	SW, TACT SKQMAJ001-E2 (F/SETUP)
SW411	40T55656W06	SW, TACT SKQMAJ001-E2 (DISP B. OUT)
SW412	40T55656W06	SW, TACT SKQMAJ001-E2 (MX)
SW413	40T55656W06	SW, TACT SKQMAJ001-E2 (1/AF/FOLDER-DN)
SW414	40T55656W06	SW, TACT SKQMAJ001-E2 (5/M. I. X.)
SW415	40T55656W06	SW, TACT SKQMAJ001-E2 (EJECT)
SW416	40T55656W06	SW, TACT SKQMAJ001-E2 (BWD/DN)
SW417	40T55656W06	SW, TACT SKQMAJ001-E2 (T. CORR/X-OVER)
SW418	40T55656W06	SW, TACT SKQMAJ001-E2 (2/P. PTY/FOLDER-UP)
SW419	40T55656W06	SW, TACT SKQMAJ001-E2 (6/SCAN)

DVA-7996R

Symbol No.	Part No.	Description
SW420	40T55656W06	SW, TACT SKQMAJ001-E2 (ANGLE/UP/DN)
SW422	40T55656W06	SW, TACT SKQMAJ001-E2 (RESET-SW)
SW423	40T55656W06	SW, TACT SKQMAJ001-E2 (Rear DVD)
Lamps		
PL401	65T35324Y02	LAMP, GRN 6-80 -E5
PL402	65T35324Y02	LAMP, GRN 6-80 -E5
PL403	65T35324Y02	LAMP, GRN 6-80 -E5
PL404	65T35324Y02	LAMP, GRN 6-80 -E5
Thermistor		
TH401	48T25250Y01	TMT, ERTJ1VV104J -CP
Capacitors		
C401	08S45676W89	CAP, CER 473K-B1E -CP
C402	08S45676W85	CAP, CER 104K-B1C -CP
C403	08S45676W85	CAP, CER 104K-B1C -CP
C404	08S45676W85	CAP, CER 104K-B1C -CP
C405	08S45676W89	CAP, CER 473K-B1E -CP
C406	08S45676W89	CAP, CER 473K-B1E -CP
C407	08S45676W89	CAP, CER 473K-B1E -CP
C408	08S45677W56	CAP, CER 681J-CH1H-CP
C409	08S35350Y04	CAP, CER 105K-B1C -CP
C410	08S45676W85	CAP, CER 104K-B1C -CP
C411	08S45677W42	CAP, CER. 181J-CH1H-CP
C412	08S45677W42	CAP, CER. 181J-CH1H-CP
C413	08S45677W42	CAP, CER. 181J-CH1H-CP
C414	08S45677W42	CAP, CER. 181J-CH1H-CP
C415	08S45677W42	CAP, CER. 181J-CH1H-CP
C416	08S45677W42	CAP, CER. 181J-CH1H-CP
C417	08S45676W80	CAP, CER 223K-B1E -CP
C418	08S45676W85	CAP, CER 104K-B1C -CP
C419	08S45676W85	CAP, CER 104K-B1C -CP
C420	08S45676W85	CAP, CER 104K-B1C -CP
C421	08S45676W85	CAP, CER 104K-B1C -CP
C422	08S45676W85	CAP, CER 104K-B1C -CP
E401	23S55311W42	CAP, TAN. 4R7-1D-B -CP
Resistors		
R400	06S55361Y98	RES, RK 243J 1/4 -CP
R401	06S55363Y65	RES, RK 102J 1/8 -CP
R402	06S55363Y65	RES, RK 102J 1/8 -CP

Symbol No.	Part No.	Description
R403	06S55363Y65	RES, RK 102J 1/8 -CP
R404	06S55363Y65	RES, RK 102J 1/8 -CP
R405	06S55363Y65	RES, RK 102J 1/8 -CP
R406	06S55363Y65	RES, RK 102J 1/8 -CP
R407	06S55363Y65	RES, RK 102J 1/8 -CP
R408	06S55361Y34	RES, RK 51RJ 1/4 -CP
R409	06S55361Y41	RES, RK 101J 1/4 -CP
R411	06S55361Y41	RES, RK 101J 1/4 -CP
R412	06S55361Y41	RES, RK 101J 1/4 -CP
R413	06S55361Y57	RES, RK 471J 1/4 -CP
R414	06S55361Y28	RES, RK 30RJ 1/4 -CP
R415	06S55361Y49	RES, RK 221J 1/4 -CP
R416	06S55361Y49	RES, RK 221J 1/4 -CP
R417	06S55361Y50	RES, RK 241J 1/4 -CP
R418	06S55361Y50	RES, RK 241J 1/4 -CP
R419	06S55361Y26	RES, RK 24RJ 1/4 -CP
R420	06S55365Y81	RES, RK 472J 1/10 -CP
R421	06S55366Y06	RES, RK 473J 1/10 -CP
R422	06S55365Y65	RES, RK 102J 1/10 -CP
R423	06S55361Y66	RES, RK 112J 1/4 -CP
R424	06S55365Y65	RES, RK 102J 1/10 -CP
R425	06S55361Y49	RES, RK 221J 1/4 -CP
R426	06S55361Y25	RES, RK 22RJ 1/4 -CP
R427	06S55361Y25	RES, RK 22RJ 1/4 -CP
R428	06S55361Y25	RES, RK 22RJ 1/4 -CP
R429	06S55361Y50	RES, RK 241J 1/4 -CP
R430	06S55361Y50	RES, RK 241J 1/4 -CP
R433	06S55366Y38	RES, RK 105J 1/10 -CP
R434	06S45675W31	RES, RK 125J 1/10 -CP
R435	06S55365Y89	RES, RK 103J 1/10 -CP
R436	06S55365Y89	RES, RK 103J 1/10 -CP
R437	06S55361Y86	RES, RK 752J 1/4 -CP
R438	06S55365Y65	RES, RK 102J 1/10 -CP
R439	06S55365Y89	RES, RK 103J 1/10 -CP
R440	06S55365Y73	RES, RK 222J 1/10 -CP
R441	06S55365Y81	RES, RK 472J 1/10 -CP
R442	06S55365Y73	RES, RK 222J 1/10 -CP
R444	06S55366Y05	RES, RK 433J 1/10 -CP
R445	06S55361Y98	RES, RK 243J 1/4 -CP
R446	06S55365Y41	RES, RK 101J 1/10 -CP
R448	06S55365Y65	RES, RK 102J 1/10 -CP
R449	06S55361Y45	RES, RK 151J 1/4 -CP
R451	06S55365Y81	RES, RK 472J 1/10 -CP
R452	06S55363Y65	RES, RK 102J 1/8 -CP
R453	06S55361Y25	RES, RK 22RJ 1/4 -CP
R456	06S55361Y25	RES, RK 22RJ 1/4 -CP
R457	06S55365Y81	RES, RK 472J 1/10 -CP
R458	06S55362Y39	RES, RK JUMPER 1/4-CP
R459	06S55365Y65	RES, RK 102J 1/10 -CP

Symbol No.	Part No.	Description
R460	06S55365Y73	RES, RK 222J 1/10 -CP
R461	06S55366Y36	RES, RK 824J 1/10 -CP
R462	06S55366Y14	RES, RK 104J 1/10 -CP
R464	06S55365Y81	RES, RK 472J 1/10 -CP
R465	06S55361Y51	RES, RK 271J 1/4 -CP
R466	06S55361Y66	RES, RK 112J 1/4 -CP
R467	06S55362Y39	RES, RK JUMPER 1/4-CP
R469	06S55361Y26	RES, RK 24RJ 1/4 -CP
R471	06S55365Y89	RES, RK 103J 1/10 -CP
R472	06S55365Y89	RES, RK 103J 1/10 -CP
R473	06S55361Y31	RES, RK 39RJ 1/4 -CP
R476	06S55361Y57	RES, RK 471J 1/4 -CP
R477	06S55361Y60	RES, RK 621J 1/4 -CP
R478	06S55361Y66	RES, RK 112J 1/4 -CP
R479	06S55361Y70	RES, RK 162J 1/4 -CP
R480	06S55361Y51	RES, RK 271J 1/4 -CP
R481	06S55362Y39	RES, RK JUMPER 1/4-CP
RA401	06S45591W06	RES, ARY MNR102J 4-CP
RA403	06S45591W06	RES, ARY MNR102J 4-CP
RA404	06S45591W06	RES, ARY MNR102J 4-CP
BACK-END P. W. Board		
IC's		
IC9101	51T15185Y01	TC7SH08FU-TE85L -CP
IC9110	51T25183Y02	TC7SET08FU-EL -CP
IC9111	51T25183Y02	TC7SET08FU-EL -CP
IC9201	51T55240Y01	PCM1742KE -SE2
IC9202	51T25576W07	NJM4580V-TE2 -SE2
IC9501	51T55239Y01	ES4428 -0T
IC9502	51T35385Y01	TC7MZ245FK-EL -SE2
IC9503	51T35385Y01	TC7MZ245FK-EL -SE2
IC9504	51T35220Y01	TC7WH126FU-TE12L-SE1
IC9505	51T35385Y01	TC7MZ245FK-EL -SE2
IC9510	51T25183Y02	TC7SET08FU-EL -CP
IC9701	51T55519Y01	HY57V641620HGT-HI-ST
IC9702	51T35453Y83	MBM29DL800TA-90 -ST
IC9703	51T55373Y01	W24L257070LE -ST
IC9704	51T55252Y01	TC74VHCT374AFT-ELSE5
IC9705	51T25141Y01	TC7SHU04FU-TE85L -CP
IC9706	51T25238Y01	TC7SH32F-TE85L -CP
IC9801	51T55238Y01	MC44722AVFU -0T

Symbol No.	Part No.	Description
Transistor		
Q9801	48T63420F01	TR, 2SA1037AK-146 -CP
Coils		
L9101	24T95456W12	FBI, BLM18AG102SH1-CP
L9201	24T95456W23	FBI, BLM18BD252SH1-CP
L9210	24T95456W12	FBI, BLM18AG102SH1-CP
L9503	24T95456W23	FBI, BLM18BD252SH1-CP
L9505	24T95456W23	FBI, BLM18BD252SH1-CP
L9506	24T95456W23	FBI, BLM18BD252SH1-CP
L9530	24T65021Y02	FBI, BLM15AG102PN1-CP
L9531	24T65021Y02	FBI, BLM15AG102PN1-CP
L9532	24T65021Y02	FBI, BLM15AG102PN1-CP
L9801	24T95456W12	FBI, BLM18AG102SH1-CP
L9802	24T35246Y12	IND, LEM2520 6R8J -CP
Crystal		
XL9601	91T35539Y01	XTL, 2720T 27.000M-E2
Filter		
Z9601	91T25537Y05	EMI, NFR21GD101470-CP
Capacitors		
C9101	08S45232Y17	CAP, CER 104K-B0J -CP
C9102	08S45232Y17	CAP, CER 104K-B0J -CP
C9103	08S45232Y17	CAP, CER 104K-B0J -CP
C9104	08S45232Y17	CAP, CER 104K-B0J -CP
C9105	08S45232Y17	CAP, CER 104K-B0J -CP
C9120	08S45232Y17	CAP, CER 104K-B0J -CP
C9122	08S45232Y17	CAP, CER 104K-B0J -CP
C9201	08S45676W80	CAP, CER 223K-B1E -CP
C9202	08S45676W80	CAP, CER 223K-B1E -CP
C9203	08S45676W80	CAP, CER 223K-B1E -CP
C9204	08S45676W80	CAP, CER 223K-B1E -CP
C9206	08T25191Y06	CAP, CER 335K-B1A -CP
C9207	08T25191Y06	CAP, CER 335K-B1A -CP
C9208	08S45677W52	CAP, CER 471J-CH1H-CP
C9209	08S45677W52	CAP, CER 471J-CH1H-CP
C9210	08S45677W38	CAP, CER 121J-CH1H-CP
C9211	08S45677W38	CAP, CER 121J-CH1H-CP

DVA-7996R

Symbol No.	Part No.	Description
C9212	08S45677W41	CAP, CER 161J-CH1H-CP
C9213	08S45677W41	CAP, CER 161J-CH1H-CP
C9220	08S45232Y17	CAP, CER 104K-B0J -CP
C9230	08T81833F11	CAP, CER 225K-B1C -CP
C9501	08S45232Y17	CAP, CER 104K-B0J -CP
C9502	08S45232Y17	CAP, CER 104K-B0J -CP
C9503	08S45232Y17	CAP, CER 104K-B0J -CP
C9504	08S45232Y17	CAP, CER 104K-B0J -CP
C9505	08S45232Y17	CAP, CER 104K-B0J -CP
C9506	08S45232Y17	CAP, CER 104K-B0J -CP
C9507	08S45677W40	CAP, CER. 151J-CH1H-CP
C9508	08S45232Y17	CAP, CER 104K-B0J -CP
C9509	08S45232Y17	CAP, CER 104K-B0J -CP
C9510	08S45232Y17	CAP, CER 104K-B0J -CP
C9511	08S45232Y17	CAP, CER 104K-B0J -CP
C9512	08S45232Y17	CAP, CER 104K-B0J -CP
C9513	08S45232Y17	CAP, CER 104K-B0J -CP
C9514	08S45232Y17	CAP, CER 104K-B0J -CP
C9515	08S45232Y17	CAP, CER 104K-B0J -CP
C9516	08S45232Y17	CAP, CER 104K-B0J -CP
C9517	08S45232Y17	CAP, CER 104K-B0J -CP
C9518	08S45232Y17	CAP, CER 104K-B0J -CP
C9519	08S45232Y17	CAP, CER 104K-B0J -CP
C9520	08S45232Y17	CAP, CER 104K-B0J -CP
C9521	08S45232Y17	CAP, CER 104K-B0J -CP
C9522	08S45232Y17	CAP, CER 104K-B0J -CP
C9523	08S45232Y17	CAP, CER 104K-B0J -CP
C9524	08S45232Y17	CAP, CER 104K-B0J -CP
C9525	08S45232Y17	CAP, CER 104K-B0J -CP
C9526	08S45232Y17	CAP, CER 104K-B0J -CP
C9533	08S45232Y17	CAP, CER 104K-B0J -CP
C9534	08S45232Y17	CAP, CER 104K-B0J -CP
C9535	08S45232Y17	CAP, CER 104K-B0J -CP
C9536	08S45232Y17	CAP, CER 104K-B0J -CP
C9537	08S45232Y05	CAP, CER 102K-B1H -CP
C9538	08S45232Y17	CAP, CER 104K-B0J -CP
C9539	08S45232Y05	CAP, CER 102K-B1H -CP
C9542	08S45232Y17	CAP, CER 104K-B0J -CP
C9543	08S45232Y17	CAP, CER 104K-B0J -CP
C9544	08S45232Y17	CAP, CER 104K-B0J -CP
C9545	08S45232Y17	CAP, CER 104K-B0J -CP
C9550	08S45232Y05	CAP, CER 102K-B1H -CP
C9560	08S45232Y17	CAP, CER 104K-B0J -CP
C9561	08S45232Y17	CAP, CER 104K-B0J -CP
C9562	08S45232Y17	CAP, CER 104K-B0J -CP
C9701	08S45232Y17	CAP, CER 104K-B0J -CP
C9702	08S45232Y17	CAP, CER 104K-B0J -CP
C9703	08S45232Y17	CAP, CER 104K-B0J -CP
C9704	08S45232Y17	CAP, CER 104K-B0J -CP

Symbol No.	Part No.	Description
C9705	08S45232Y17	CAP, CER 104K-B0J -CP
C9706	08S45232Y17	CAP, CER 104K-B0J -CP
C9707	08S45232Y17	CAP, CER 104K-B0J -CP
C9708	08S45232Y17	CAP, CER 104K-B0J -CP
C9709	08S45232Y17	CAP, CER 104K-B0J -CP
C9710	08S45232Y17	CAP, CER 104K-B0J -CP
C9711	08S45232Y17	CAP, CER 104K-B0J -CP
C9712	08S45232Y17	CAP, CER 104K-B0J -CP
C9713	08S45232Y17	CAP, CER 104K-B0J -CP
C9714	08S45232Y17	CAP, CER 104K-B0J -CP
C9801	08S45232Y17	CAP, CER 104K-B0J -CP
C9802	08S45232Y17	CAP, CER 104K-B0J -CP
C9803	08S45232Y17	CAP, CER 104K-B0J -CP
C9804	08S45232Y17	CAP, CER 104K-B0J -CP
C9805	08S45232Y17	CAP, CER 104K-B0J -CP
C9806	08S45232Y17	CAP, CER 104K-B0J -CP
C9807	08S45677W36	CAP, CER. 101J-CH1H-CP
C9808	08S45677W14	CAP, CER. 12RJ-CH1H-CP
C9809	08S45676W80	CAP, CER 223K-B1E -CP
C9813	08S45232Y17	CAP, CER 104K-B0J -CP
C9816	08S45232Y17	CAP, CER 104K-B0J -CP
C9830	08S45676W80	CAP, CER 223K-B1E -CP
C9832	08S45677W60	CAP, CER 102J-CH1H-CP
C9905	08S45676W80	CAP, CER 223K-B1E -CP
E9101	23S55582Y03	CAP, TAN 10R-1C-B -CP
E9102	23S55582Y02	CAP, TAN 22R-1A-B -CP
E9201	23S55311W35	CAP, TAN 10R-1C-B -CP
E9202	23S55311W26	CAP, TAN 10R-1A-A -CP
E9203	23S55311W26	CAP, TAN 10R-1A-A -CP
E9205	23S55311W35	CAP, TAN 10R-1C-B -CP
E9206	23S55311W35	CAP, TAN 10R-1C-B -CP
E9501	23S55311W28	CAP, TAN 22R-1A-B -CP
E9502	23S55582Y02	CAP, TAN 22R-1A-B -CP
E9701	23S55582Y02	CAP, TAN 22R-1A-B -CP
E9703	23S55582Y02	CAP, TAN 22R-1A-B -CP
E9704	23S55582Y02	CAP, TAN 22R-1A-B -CP
E9801	23S55582Y02	CAP, TAN 22R-1A-B -CP
E9802	23S55582Y02	CAP, TAN 22R-1A-B -CP
E9803	23S55582Y02	CAP, TAN 22R-1A-B -CP
E9804	23S55582Y02	CAP, TAN 22R-1A-B -CP
Resistors		
R9101	06S15615Y81	RES, RK 223J 1/16 -CP
R9102	06S15615Y81	RES, RK 223J 1/16 -CP
R9103	06S15615Y81	RES, RK 223J 1/16 -CP
R9105	06S15616Y23	RES, RK JUMPER1/16-CP
R9107	06S15615Y81	RES, RK 223J 1/16 -CP

Symbol No.	Part No.	Description	Symbol No.	Part No.	Description
R9111	06S15616Y23	RES, RK JUMPER1/16-CP	R9521	06S15615Y21	RES, RK 68RJ 1/16 -CP
R9112	06S15616Y23	RES, RK JUMPER1/16-CP	R9522	06S15615Y21	RES, RK 68RJ 1/16 -CP
R9113	06S15616Y23	RES, RK JUMPER1/16-CP	R9523	06S15615Y21	RES, RK 68RJ 1/16 -CP
R9114	06S15616Y23	RES, RK JUMPER1/16-CP	R9524	06S15615Y21	RES, RK 68RJ 1/16 -CP
R9121	06S15615Y37	RES, RK 331J 1/16 -CP	R9525	06S15615Y21	RES, RK 68RJ 1/16 -CP
R9122	06S15615Y13	RES, RK 33RJ 1/16 -CP	R9526	06S15615Y21	RES, RK 68RJ 1/16 -CP
R9123	06S15615Y37	RES, RK 331J 1/16 -CP	R9527	06S15615Y21	RES, RK 68RJ 1/16 -CP
R9124	06S15615Y13	RES, RK 33RJ 1/16 -CP	R9528	06S15615Y21	RES, RK 68RJ 1/16 -CP
R9125	06S15615Y13	RES, RK 33RJ 1/16 -CP	R9529	06S15615Y21	RES, RK 68RJ 1/16 -CP
R9130	06S15616Y23	RES, RK JUMPER1/16-CP	R9530	06S15615Y21	RES, RK 68RJ 1/16 -CP
R9140	06S15615Y81	RES, RK 223J 1/16 -CP	R9531	06S15615Y21	RES, RK 68RJ 1/16 -CP
R9141	06S15615Y81	RES, RK 223J 1/16 -CP	R9532	06S15615Y21	RES, RK 68RJ 1/16 -CP
R9204	06S15616Y23	RES, RK JUMPER1/16-CP	R9533	06S15615Y21	RES, RK 68RJ 1/16 -CP
R9205	06S15593Y69	RES, RK 682F 1/10 -CP	R9534	06S15615Y21	RES, RK 68RJ 1/16 -CP
R9206	06S15593Y69	RES, RK 682F 1/10 -CP	R9535	06S15615Y21	RES, RK 68RJ 1/16 -CP
R9207	06S15593Y69	RES, RK 682F 1/10 -CP	R9536	06S15615Y21	RES, RK 68RJ 1/16 -CP
R9208	06S15593Y69	RES, RK 682F 1/10 -CP	R9537	06S15615Y21	RES, RK 68RJ 1/16 -CP
R9209	06S15593Y51	RES, RK 122F 1/10 -CP	R9538	06S15615Y21	RES, RK 68RJ 1/16 -CP
R9210	06S15593Y51	RES, RK 122F 1/10 -CP	R9539	06S15615Y21	RES, RK 68RJ 1/16 -CP
R9211	06S15593Y89	RES, RK 473F 1/10 -CP	R9540	06S15615Y21	RES, RK 68RJ 1/16 -CP
R9212	06S15593Y89	RES, RK 473F 1/10 -CP	R9541	06S15615Y21	RES, RK 68RJ 1/16 -CP
R9213	06S15593Y75	RES, RK 123F 1/10 -CP	R9542	06S15615Y21	RES, RK 68RJ 1/16 -CP
R9214	06S15593Y75	RES, RK 123F 1/10 -CP	R9543	06S15615Y21	RES, RK 68RJ 1/16 -CP
R9215	06S15593Y77	RES, RK 153F 1/10 -CP	R9544	06S15615Y21	RES, RK 68RJ 1/16 -CP
R9216	06S15593Y77	RES, RK 153F 1/10 -CP	R9545	06S15615Y21	RES, RK 68RJ 1/16 -CP
R9217	06S15593Y67	RES, RK 562F 1/10 -CP	R9554	06S15615Y21	RES, RK 68RJ 1/16 -CP
R9218	06S15593Y67	RES, RK 562F 1/10 -CP	R9555	06S15615Y21	RES, RK 68RJ 1/16 -CP
R9219	06S15593Y89	RES, RK 473F 1/10 -CP	R9573	06S15615Y25	RES, RK 101J 1/16 -CP
R9220	06S15593Y89	RES, RK 473F 1/10 -CP	R9578	06S15615Y25	RES, RK 101J 1/16 -CP
R9221	06S15593Y17	RES, RK 47RF 1/10 -CP	R9582	06S15615Y25	RES, RK 101J 1/16 -CP
R9222	06S15593Y17	RES, RK 47RF 1/10 -CP	R9583	06S15615Y25	RES, RK 101J 1/16 -CP
R9503	06S15615Y73	RES, RK 103J 1/16 -CP	R9585	06S15615Y21	RES, RK 68RJ 1/16 -CP
R9504	06S15615Y21	RES, RK 68RJ 1/16 -CP	R9587	06S15615Y21	RES, RK 68RJ 1/16 -CP
R9505	06S15615Y21	RES, RK 68RJ 1/16 -CP	R9588	06S15615Y21	RES, RK 68RJ 1/16 -CP
R9506	06S15615Y21	RES, RK 68RJ 1/16 -CP	R9589	06S15615Y09	RES, RK 22RJ 1/16 -CP
R9507	06S15615Y21	RES, RK 68RJ 1/16 -CP	R9590	06S15615Y09	RES, RK 22RJ 1/16 -CP
R9508	06S15615Y21	RES, RK 68RJ 1/16 -CP	R9591	06S15615Y65	RES, RK 472J 1/16 -CP
R9509	06S15615Y09	RES, RK 22RJ 1/16 -CP	R9592	06S15615Y65	RES, RK 472J 1/16 -CP
R9510	06S15615Y21	RES, RK 68RJ 1/16 -CP	R9612	06S15615Y73	RES, RK 103J 1/16 -CP
R9511	06S15615Y21	RES, RK 68RJ 1/16 -CP	R9614	06S15615Y25	RES, RK 101J 1/16 -CP
R9512	06S15615Y21	RES, RK 68RJ 1/16 -CP	R9616	06S15615Y25	RES, RK 101J 1/16 -CP
R9513	06S15615Y21	RES, RK 68RJ 1/16 -CP	R9620	06S45675W43	RES, RK JUMPER1/10-CP
R9514	06S15615Y21	RES, RK 68RJ 1/16 -CP	R9621	06S15615Y09	RES, RK 22RJ 1/16 -CP
R9515	06S15615Y21	RES, RK 68RJ 1/16 -CP	R9625	06S15615Y73	RES, RK 103J 1/16 -CP
R9516	06S15615Y21	RES, RK 68RJ 1/16 -CP	R9626	06S15615Y73	RES, RK 103J 1/16 -CP
R9517	06S15615Y21	RES, RK 68RJ 1/16 -CP	R9627	06S15615Y73	RES, RK 103J 1/16 -CP
R9518	06S15615Y21	RES, RK 68RJ 1/16 -CP	R9628	06S15615Y73	RES, RK 103J 1/16 -CP
R9519	06S15615Y21	RES, RK 68RJ 1/16 -CP	R9629	06S15615Y73	RES, RK 103J 1/16 -CP
R9520	06S15615Y21	RES, RK 68RJ 1/16 -CP	R9633	06S15615Y73	RES, RK 103J 1/16 -CP

DVA-7996R

Symbol No.	Part No.	Description
R9635	06S15615Y73	RES, RK 103J 1/16 -CP
R9650	06S15615Y21	RES, RK 68RJ 1/16 -CP
R9660	06S15615Y21	RES, RK 68RJ 1/16 -CP
R9661	06S15615Y21	RES, RK 68RJ 1/16 -CP
R9662	06S15615Y21	RES, RK 68RJ 1/16 -CP
R9663	06S15615Y21	RES, RK 68RJ 1/16 -CP
R9664	06S15615Y73	RES, RK 103J 1/16 -CP
R9671	06S15616Y23	RES, RK JUMPER1/16-CP
R9672	06S15616Y23	RES, RK JUMPER1/16-CP
R9673	06S15616Y23	RES, RK JUMPER1/16-CP
R9675	06S15615Y49	RES, RK 102J 1/16 -CP
R9702	06S15615Y81	RES, RK 223J 1/16 -CP
R9703	06S15615Y73	RES, RK 103J 1/16 -CP
R9803	06S45674W39	RES, RK 181J 1/10 -CP
R9804	06S45674W39	RES, RK 181J 1/10 -CP
R9805	06S45674W39	RES, RK 181J 1/10 -CP
R9806	06S15593Y55	RES, RK 182F 1/10 -CP
R9807	06S15593Y54	RES, RK 162F 1/10 -CP
R9808	06S15593Y53	RES, RK 152F 1/10 -CP
R9809	06S45675W43	RES, RK JUMPER1/10-CP
R9810	06S15593Y39	RES, RK 391F 1/10 -CP
R9812	06S45674W39	RES, RK 181J 1/10 -CP
R9813	06S15593Y39	RES, RK 391F 1/10 -CP
R9814	06S35084Y17	RES, RK 221F 1/8 -CP
R9815	06S45674W39	RES, RK 181J 1/10 -CP
R9817	06S35084Y17	RES, RK 221F 1/8 -CP
R9830	06S45675W43	RES, RK JUMPER1/10-CP
RA9504	06S15771Y11	RES, ARYEXB28V68RJ-CP
RA9505	06S15771Y11	RES, ARYEXB28V68RJ-CP
RA9506	06S15771Y13	RES, ARYEXB28V101J-CP
RA9507	06S15771Y13	RES, ARYEXB28V101J-CP
RA9508	06S15771Y13	RES, ARYEXB28V101J-CP
RA9509	06S15771Y13	RES, ARYEXB28V101J-CP
RA9510	06S15771Y13	RES, ARYEXB28V101J-CP
RA9511	06S15771Y13	RES, ARYEXB28V101J-CP
RA9512	06S15771Y13	RES, ARYEXB28V101J-CP
RA9513	06S15771Y13	RES, ARYEXB28V101J-CP
RA9514	06S15771Y13	RES, ARYEXB28V101J-CP
RA9515	06S15771Y13	RES, ARYEXB28V101J-CP
RA9516	06S15771Y13	RES, ARYEXB28V101J-CP
RA9517	06S15771Y13	RES, ARYEXB28V101J-CP
RA9518	06S15771Y11	RES, ARYEXB28V68RJ-CP
RA9519	06S15771Y11	RES, ARYEXB28V68RJ-CP
RA9520	06S15771Y11	RES, ARYEXB28V68RJ-CP
RA9521	06S15771Y11	RES, ARYEXB28V68RJ-CP

Symbol No.	Part No.	Description
Connectors		
CB9102	09T45442Y45	FFC, 54104-4592 -EQ
CB9501	09T45442Y50	FFC, 54104-5092 -EQ
MULTI P.W. Board		
IC's		
IC1001	51T45496Y01	TDA7510 -OT
IC1002	51T93333F01	NJM2904M-TE3 -SE2
Transistors		
Q1003	48T16465W01	FET, CP. 3SK195-Y-R
Q1004	48T15606Y01	FET, FC18-TL -CP
Diodes		
D1002	48T65157W01	D10, VAR KV1410 -XX
D1003	48T65157W01	D10, VAR KV1410 -XX
D1004	48T65157W01	D10, VAR KV1410 -XX
D1005	48T68806F01	D10, 1SV172/L -CP
D1013	48T68806F01	D10, 1SV172/L -CP
Coils		
IFT1001	24T45563Y01	C01L, IFT1 F/A 5PG-DB
IFT1002	24T45563Y02	C01L, IFT2 AM 5PG -DB
L1006	24T65176W37	IND, NL453232 102J-E2
L1007	24T25164Y35	IND, FSLM2520 68RJ-CP
L1010	24T65176W37	IND, NL453232 102J-E2
L1019	24T25164Y11	IND, FSLM2520 R68J-CP
L1020	24T25164Y17	IND, FSLM2520 2R2J-CP
L1021	24T25164Y12	IND, FSLM2520 R82J-CP
VT1001	24T45428Y04	C01L, ANT1 FM 5KR -DB
VT1002	24T45429Y04	C01L, RF FM 5KR -DB
VT1003	24T45427Y03	C01L, OSC F/A 5KR -DB
Filters		
CF1001	91T35405W02	CERFIL, SFELA10M7 -DB
CF1002	91T35405W02	CERFIL, SFELA10M7 -DB
CF1003	91T35405W02	CERFIL, SFELA10M7 -DB

Symbol No.	Part No.	Description
L1001	91T15509Y08	EMI, BK1608HM102 -CP
L1002	91T15509Y08	EMI, BK1608HM102 -CP
L1005	91T15509Y08	EMI, BK1608HM102 -CP
L1013	91T15509Y08	EMI, BK1608HM102 -CP
L1014	91T15509Y08	EMI, BK1608HM102 -CP
L1017	91T15509Y08	EMI, BK1608HM102 -CP
L1018	91T15509Y08	EMI, BK1608HM102 -CP
Crystals		
XL1001	91T45560Y01	XTL, HC-49 10.25M -R5
XL1002	91T15651Y02	CERFIL, CFWLA450K -DB
Capacitors		
C1001	08S45676W80	CAP, CER 223K-B1E -CP
C1002	08S82122F25	CAP, CER. 33RJ-CH1H-CP
C1003	08S45677W60	CAP, CER 102J-CH1H-CP
C1004	08S45677W24	CAP, CER 33RJ-CH1H-CP
C1005	08S45677W24	CAP, CER 33RJ-CH1H-CP
C1006	08S45677W04	CAP, CER. 2R0C-CH1H-CP
C1007	08S45677W07	CAP, CER. 5R0C-CH1H-CP
C1009	08S45677W12	CAP, CER. 10RD-CH1H-CP
C1010	08S45676W73	CAP, CER. 103K-B1H -CP
C1011	08S45676W85	CAP, CER 104K-B1C -CP
C1012	08S45676W69	CAP, CER. 472K-B1H -CP
C1013	08S45676W73	CAP, CER. 103K-B1H -CP
C1014	08S45677W60	CAP, CER 102J-CH1H-CP
C1015	08S45677W32	CAP, CER. 68RJ-CH1H-CP
C1016	08S45677W36	CAP, CER. 101J-CH1H-CP
C1017	08S45676W73	CAP, CER. 103K-B1H -CP
C1018	08S45676W85	CAP, CER 104K-B1C -CP
C1019	08S45676W85	CAP, CER 104K-B1C -CP
C1020	08S45676W85	CAP, CER 104K-B1C -CP
C1021	08S45676W80	CAP, CER 223K-B1E -CP
C1022	08S45676W68	CAP, CER. 392K-B1H -CP
C1023	08S45677W38	CAP, CER 121J-CH1H-CP
C1024	08S45676W73	CAP, CER. 103K-B1H -CP
C1025	08S45676W73	CAP, CER. 103K-B1H -CP
C1026	08S35350Y05	CAP, CER 105K-B1A -CP
C1027	08S45676W85	CAP, CER 104K-B1C -CP
C1028	08S45676W85	CAP, CER 104K-B1C -CP
C1029	08S35350Y05	CAP, CER 105K-B1A -CP
C1030	08S35350Y05	CAP, CER 105K-B1A -CP
C1031	08S45676W80	CAP, CER 223K-B1E -CP
C1032	08S45677W32	CAP, CER. 68RJ-CH1H-CP
C1033	08S45676W73	CAP, CER. 103K-B1H -CP

Symbol No.	Part No.	Description
C1034	08S45676W85	CAP, CER 104K-B1C -CP
C1035	08S45677W02	CAP, CER 1R0C-CH1H-CP
C1036	08S45677W20	CAP, CER. 22RJ-CH1H-CP
C1037	08S45677W16	CAP, CER. 15RJ-CH1H-CP
C1038	08S45676W85	CAP, CER 104K-B1C -CP
C1039	08S45676W85	CAP, CER 104K-B1C -CP
C1040	08S45676W73	CAP, CER. 103K-B1H -CP
C1041	08S45676W65	CAP, CER. 222K-B1H -CP
C1042	08S45677W60	CAP, CER 102J-CH1H-CP
C1043	08S45676W73	CAP, CER. 103K-B1H -CP
C1044	08S45676W80	CAP, CER 223K-B1E -CP
C1045	08S45676W80	CAP, CER 223K-B1E -CP
C1046	08S45676W80	CAP, CER 223K-B1E -CP
C1047	08S45677W05	CAP, CER. 3R0C-CH1H-CP
C1048	08S45677W12	CAP, CER. 10RD-CH1H-CP
C1049	08S45677W12	CAP, CER. 10RD-CH1H-CP
C1050	08S45676W73	CAP, CER. 103K-B1H -CP
C1051	08S45676W73	CAP, CER. 103K-B1H -CP
C1052	08S45677W12	CAP, CER. 10RD-CH1H-CP
C1053	08S45676W73	CAP, CER. 103K-B1H -CP
C1054	08S45676W73	CAP, CER. 103K-B1H -CP
C1055	08S45677W36	CAP, CER. 101J-CH1H-CP
C1056	08S45676W80	CAP, CER 223K-B1E -CP
C1057	08S45676W73	CAP, CER. 103K-B1H -CP
C1058	08S35350Y05	CAP, CER 105K-B1A -CP
C1060	08S35374W08	CAP, CER 474K-B1C -CP
C1061	08S35374W08	CAP, CER 474K-B1C -CP
C1201	08S45676W75	CAP, CER. 153K-B1H -CP
C1205	08S45676W85	CAP, CER 104K-B1C -CP
C1206	08S45677W60	CAP, CER 102J-CH1H-CP
C1211	08S45677W36	CAP, CER. 101J-CH1H-CP
C1214	08S45676W73	CAP, CER. 103K-B1H -CP
C1216	08S35349Y13	CAP, CER 684K-B1A -CP
C1217	08S45676W73	CAP, CER. 103K-B1H -CP
C1218	08S45676W73	CAP, CER. 103K-B1H -CP
C1219	08S45676W85	CAP, CER 104K-B1C -CP
C1220	08S45677W60	CAP, CER 102J-CH1H-CP
C1221	08S45676W85	CAP, CER 104K-B1C -CP
C1222	08S45676W85	CAP, CER 104K-B1C -CP
C1223	08S45676W85	CAP, CER 104K-B1C -CP
C1224	08S45676W85	CAP, CER 104K-B1C -CP
C1225	08S45676W85	CAP, CER 104K-B1C -CP
E1006	23S55039Y02	CAP, ELY 10R-1C -R2
E1007	23S65134W31	CAP, ELY 10R-1C(4)-E2
E1008	23S65134W31	CAP, ELY 10R-1C(4)-E2
E1011	23S55039Y02	CAP, ELY 10R-1C -R2
E1012	23S45639Y08	CAP, ELY 22R-1C -R2
E1014	23S65134W31	CAP, ELY 10R-1C(4)-E2
E1015	23S65134W31	CAP, ELY 10R-1C(4)-E2

DVA-7996R

Symbol No.	Part No.	Description
E1201	23S45639Y08	CAP, ELY 22R-1C -R2
E1204	23S65134W31	CAP, ELY 10R-1C(4)-E2
E1205	23S65134W53	CAP, ELY 4R7-1V(4)-E2
Resistors		
R1004	06S55365Y25	RES, RK 22RJ 1/10 -CP
R1005	06S55365Y25	RES, RK 22RJ 1/10 -CP
R1007	06S55365Y73	RES, RK 222J 1/10 -CP
R1008	06S55365Y65	RES, RK 102J 1/10 -CP
R1009	06S55365Y73	RES, RK 222J 1/10 -CP
R1010	06S55366Y38	RES, RK 105J 1/10 -CP
R1011	06S55365Y81	RES, RK 472J 1/10 -CP
R1012	06S55365Y17	RES, RK 10RJ 1/10 -CP
R1013	06S55366Y14	RES, RK 104J 1/10 -CP
R1015	06S55365Y97	RES, RK 223J 1/10 -CP
R1016	06S55365Y89	RES, RK 103J 1/10 -CP
R1017	06S55365Y41	RES, RK 101J 1/10 -CP
R1018	06S55366Y08	RES, RK 563J 1/10 -CP
R1019	06S55365Y81	RES, RK 472J 1/10 -CP
R1020	06S55366Y14	RES, RK 104J 1/10 -CP
R1023	06S55365Y83	RES, RK 562J 1/10 -CP
R1024	06S55365Y61	RES, RK 681J 1/10 -CP
R1028	06S55366Y14	RES, RK 104J 1/10 -CP
R1029	06S55366Y08	RES, RK 563J 1/10 -CP
R1030	06S55365Y83	RES, RK 562J 1/10 -CP
R1034	06S55365Y17	RES, RK 10RJ 1/10 -CP
R1037	06S55366Y08	RES, RK 563J 1/10 -CP
R1038	06S55365Y17	RES, RK 10RJ 1/10 -CP
R1043	06S55365Y09	RES, RK 4R7J 1/10 -CP
R1044	06S55365Y09	RES, RK 4R7J 1/10 -CP
R1045	06S55365Y17	RES, RK 10RJ 1/10 -CP
R1050	06S55365Y91	RES, RK 123J 1/10 -CP
R1211	06S55365Y73	RES, RK 222J 1/10 -CP
R1215	06S55365Y65	RES, RK 102J 1/10 -CP
R1216	06S55365Y65	RES, RK 102J 1/10 -CP
Connectors		
CB1001	09T65422W17	PIN, IMSA6029B-17Z-DB
CB1002	09T15387Y30	BTB, 53309-3091 -E9

Symbol No.	Part No.	Description
DSP P.W. Board		
IC		
IC4001	51T45654Y01	TC94A04AFD -QT
Filters		
Z4001	91T65112W06	EMI, BK2125HM102 -CP
Z4002	91T65112W06	EMI, BK2125HM102 -CP
Z4003	91T65112W06	EMI, BK2125HM102 -CP
Z4004	91T65112W06	EMI, BK2125HM102 -CP
Z4005	91T65112W06	EMI, BK2125HM102 -CP
Crystal		
XL4001	91T35227Y03	XTL, CS10 33.8688M-E2
Capacitors		
C4001	08S45676W65	CAP, CER. 222K-B1H -CP
C4002	08S45676W65	CAP, CER. 222K-B1H -CP
C4003	08S45676W85	CAP, CER 104K-B1C -CP
C4004	08S45676W85	CAP, CER 104K-B1C -CP
C4005	08S45676W85	CAP, CER 104K-B1C -CP
C4006	08S45676W85	CAP, CER 104K-B1C -CP
C4007	08S45676W85	CAP, CER 104K-B1C -CP
C4008	08S45676W85	CAP, CER 104K-B1C -CP
C4009	08S45676W85	CAP, CER 104K-B1C -CP
C4010	08S45677W11	CAP, CER 9R0D-CH1H-CP
C4011	08S45677W11	CAP, CER 9R0D-CH1H-CP
C4012	08S45677W60	CAP, CER 102J-CH1H-CP
E4001	23S65134W53	CAP, ELY 4R7-1V(4)-E2
E4002	23S65134W53	CAP, ELY 4R7-1V(4)-E2
E4003	23S65134W12	CAP, ELY 47R-0J(5)-E3
E4004	23S65134W12	CAP, ELY 47R-0J(5)-E3
E4005	23S65134W12	CAP, ELY 47R-0J(5)-E3
E4006	23S65134W12	CAP, ELY 47R-0J(5)-E3
E4007	23S65134W12	CAP, ELY 47R-0J(5)-E3
E4008	23S65134W13	CAP, ELY 101-0J(6)-E6
E4009	23S65134W11	CAP, ELY 22R-0J(4)-E2
E4010	23S65134W11	CAP, ELY 22R-0J(4)-E2
E4011	23S65134W12	CAP, ELY 47R-0J(5)-E3

Symbol No.	Part No.	Description
Resistors		
R4001	06S55365Y49	RES, RK 221J 1/10 -CP
R4002	06S55365Y49	RES, RK 221J 1/10 -CP
R4003	06S55365Y41	RES, RK 101J 1/10 -CP
R4004	06S55365Y41	RES, RK 101J 1/10 -CP
R4008	06S55366Y38	RES, RK 105J 1/10 -CP
R4009	06S55365Y69	RES, RK 152J 1/10 -CP
R4011	06S55365Y41	RES, RK 101J 1/10 -CP
Connector		
CB4001	09T55503Y15	PIN, IMSA9230B-1-15DB
DC/DC P.W. Board		
IC's		
IC2601	51T45446Y01	NJM78L09A-T3 -RD
IC2602	51T45447Y01	NJM79L09A-T3 -RD
Transistors		
Q2601	48T69176F02	TR ,2SC3421-Y
Q2602	48T55057W01	TR, 2SD1857-PQ-TV2-RD
Q2603	48T55057W01	TR, 2SD1857-PQ-TV2-RD
Diodes		
D2601	48T73079F04	D10, 1SS82 -R5
D2602	48T73079F04	D10, 1SS82 -R5
D2603	48T73079F04	D10, 1SS82 -R5
D2604	48T73079F04	D10, 1SS82 -R5
ZD2601	48T25766W25	D10, ZEN. HZS 9C2L -R5
Coil		
L2601	24T95399W21	IND, RCH-855 471K +
Transformer		
T2601	25T95401W01	TRANS, LC-10 -DB

Symbol No.	Part No.	Description
Capacitors		
C2601	08T55390W22	CAP, TF 273J-1H -R5
E2601	23T45365W03	CAP, SME 221-1A -R2
E2602	23T45365W05	CAP, SME 101-1E -R2
E2603	23T45365W03	CAP, SME 221-1A -R2
E2604	23T45365W06	CAP, SME 33R-1V -R2
E2605	23T45365W05	CAP, SME 101-1E -R2
E2606	23T45365W03	CAP, SME 221-1A -R2
E2607	23T45365W05	CAP, SME 101-1E -R2
Resistors		
R2602	06S55361Y85	RES, RK 682J 1/4 -CP
R2603	06S55366Y32	RES, RK 564J 1/10 -CP
R2604	06S55366Y34	RES, RK 684J 1/10 -CP
R2605	06S55361Y49	RES, RK 221J 1/4 -CP
R2606	06S55366Y32	RES, RK 564J 1/10 -CP
Connector		
CB2601	09T25436Y08	WTB, 53253-0810 -DB
D-OUT P.W. Board		
Capacitors		
C399	08S65128F79	CAP, CER. 273K-B1H -CP
E399	23T15765Y76	CAP, TAN 10R-1C-A -CP
Resistor		
R399	06S55361Y87	RES, RK 822J 1/4 -CP
DV-Main P.W. Board		
IC's		
IC1	51T35255Y01	TC9497F -OT
IC2	51T35254Y01	TA1313FA -OT
IC3	51T15550Y01	MSM514260CP-60TSK-ST
IC4	51T25503Y01	BA5985FM-E2 -SEA
IC5	51T35257Y01	BD6609FV-E2 -SE2

DVA-7996R

Symbol No.	Part No.	Description
IC6	51T95360W02	NJU7201U32-TE1 -NE2
IC8	51T15731W10	TC7S66F-TE85L -CP
IC9	51T25209Y03	TC9469BF -OT
IC10	51T35427Y67	MTP,M30800FCGP
IC11	51T96065F02	IC ,M51957BFP -SE2
IC12	51T15550Y01	MSM514260CP-60TSK-ST
IC13	51T95529W01	ST24C08M6TR -SE2
IC14	51T35664Y01	NJM2403M-TE3 -SE2
IC16	51T35743Y01	TC7W66FU-TE12L -SE1
IC17	51T45659Y01	BA00BCOWF-E2 -SE2
Transistors/Photo Transistors		
PT1	48T35389Y01	PHT, TR PS1101W-TR-CP
PT2	48T35389Y01	PHT, TR PS1101W-TR-CP
PT3	48T35389Y01	PHT, TR PS1101W-TR-CP
Q1	48T62967F03	TR, DTC124EKA-T146-CP
Q2	48T62967F03	TR, DTC124EKA-T146-CP
Q3	48T73888F12	TR ,CP. FMC2-99
Q4	48T55462Y01	TR, 2SB1132-OR-100-E2
Q5	48T55462Y01	TR, 2SB1132-OR-100-E2
Q6	48T73888F08	TR ,CP. FMG1-99
Q8	48T45388Y03	TR, 2SA1797-0-T100-E2
Diodes		
D3	48T81063F01	DIO, CP. MA159 / TX-CP
D5	48T25651W01	DIO, CP MA152WA
D6	48T25651W01	DIO, CP MA152WA
D7	48T52446F01	DIO, MA151WK SO/TX-CP
SD1	48T65122W01	DIO, SHT SS14-6600-E1
Crystals		
CL1	91T35456Y02	OSC, CER CSTCW22M5-CP
CL2	91T35456Y01	OSC, CER CSTCW18M9-CP
CL3	91T35456Y04	OSC, CER CSTCW45M4-CP
Coil		
L3	24T45379Y06	IND, D53LC 10RM -E2
Thermistor		
TH1	48T15688Y01	TMT, SC20-3U104KT -CP

Symbol No.	Part No.	Description
Capacitors		
C3	08S45676W85	CAP, CER 104K-B1C -CP
C4	08S45676W85	CAP, CER 104K-B1C -CP
C8	08S45676W85	CAP, CER 104K-B1C -CP
C9	08S45676W73	CAP, CER. 103K-B1H -CP
C10	08S45676W85	CAP, CER 104K-B1C -CP
C15	08S45676W73	CAP, CER. 103K-B1H -CP
C16	08S45676W85	CAP, CER 104K-B1C -CP
C17	08S45676W73	CAP, CER. 103K-B1H -CP
C18	08S45676W85	CAP, CER 104K-B1C -CP
C20	08S45676W85	CAP, CER 104K-B1C -CP
C21	08S45676W69	CAP, CER. 472K-B1H -CP
C22	08S45676W69	CAP, CER. 472K-B1H -CP
C23	08S45676W85	CAP, CER 104K-B1C -CP
C24	08S45676W85	CAP, CER 104K-B1C -CP
C25	08S45677W60	CAP, CER 102J-CH1H-CP
C26	08S45676W75	CAP, CER. 153K-B1H -CP
C27	08S45676W85	CAP, CER 104K-B1C -CP
C28	08S45676W67	CAP, CER. 332K-B1H -CP
C29	08S45676W71	CAP, CER. 682K-B1H -CP
C30	08S45676W85	CAP, CER 104K-B1C -CP
C32	08S45677W48	CAP, CER. 331J-CH1H-CP
C33	08S45677W48	CAP, CER. 331J-CH1H-CP
C34	08S45676W73	CAP, CER. 103K-B1H -CP
C35	08S45677W36	CAP, CER. 101J-CH1H-CP
C36	08S45676W65	CAP, CER. 222K-B1H -CP
C37	08S45677W60	CAP, CER 102J-CH1H-CP
C38	08S45677W60	CAP, CER 102J-CH1H-CP
C39	08S45676W85	CAP, CER 104K-B1C -CP
C40	08S45676W80	CAP, CER 223K-B1E -CP
C41	08S45676W80	CAP, CER 223K-B1E -CP
C42	08S45676W85	CAP, CER 104K-B1C -CP
C43	08S45676W85	CAP, CER 104K-B1C -CP
C44	08S45676W85	CAP, CER 104K-B1C -CP
C47	08S45676W85	CAP, CER 104K-B1C -CP
C48	08S45676W85	CAP, CER 104K-B1C -CP
C49	08S45676W85	CAP, CER 104K-B1C -CP
C50	08S45676W85	CAP, CER 104K-B1C -CP
C51	08S45676W85	CAP, CER 104K-B1C -CP
C52	08S45676W85	CAP, CER 104K-B1C -CP
C54	08S45676W85	CAP, CER 104K-B1C -CP
C55	08S45676W85	CAP, CER 104K-B1C -CP
C60	08S45676W85	CAP, CER 104K-B1C -CP
C61	08S45676W80	CAP, CER 223K-B1E -CP
C62	08S45677W32	CAP, CER. 68RJ-CH1H-CP
C63	08S45676W85	CAP, CER 104K-B1C -CP
C64	08S45677W42	CAP, CER. 181J-CH1H-CP
C65	08S35350Y03	CAP, CER 224K-B1C -CP

Symbol No.	Part No.	Description	Symbol No.	Part No.	Description
C67	08S45676W85	CAP, CER 104K-B1C -CP	C224	08S45676W85	CAP, CER 104K-B1C -CP
C68	08S45676W85	CAP, CER 104K-B1C -CP	C225	08S45676W85	CAP, CER 104K-B1C -CP
C70	08S45676W69	CAP, CER. 472K-B1H -CP	C230	08S45676W85	CAP, CER 104K-B1C -CP
C71	08S45676W69	CAP, CER. 472K-B1H -CP	C231	08S45676W85	CAP, CER 104K-B1C -CP
C72	08S35350Y05	CAP, CER 105K-B1A -CP	C232	08S45676W85	CAP, CER 104K-B1C -CP
C73	08S45676W65	CAP, CER. 222K-B1H -CP	C233	08S45676W85	CAP, CER 104K-B1C -CP
C74	08S45676W65	CAP, CER. 222K-B1H -CP	C234	08S45676W85	CAP, CER 104K-B1C -CP
C75	08S45676W65	CAP, CER. 222K-B1H -CP	C311	08S45677W40	CAP, CER. 151J-CH1H-CP
C76	08S45676W85	CAP, CER 104K-B1C -CP	E1	23T25191W62	CAP, E-MF22R-0J-B6-E2
C80	08S45676W63	CAP, CER 152K-B1H -CP	E2	23S55311W28	CAP, TAN 22R-1A-B -CP
C81	08S45676W63	CAP, CER 152K-B1H -CP	E5	23S55311W36	CAP, TAN 47R-1C-D -E2
C82	08S45676W85	CAP, CER 104K-B1C -CP	E7	23S55311W35	CAP, TAN 10R-1C-B -CP
C83	08S45676W85	CAP, CER 104K-B1C -CP	E8	23S55311W35	CAP, TAN 10R-1C-B -CP
C84	08S45676W73	CAP, CER. 103K-B1H -CP	E9	23S55311W26	CAP, TAN 10R-1A-A -CP
C85	08S45676W85	CAP, CER 104K-B1C -CP	E10	23T25191W62	CAP, E-MF22R-0J-B6-E2
C86	08S45677W60	CAP, CER 102J-CH1H-CP	E11	23S55311W28	CAP, TAN 22R-1A-B -CP
C87	08S45677W60	CAP, CER 102J-CH1H-CP	E12	23S55311W28	CAP, TAN 22R-1A-B -CP
C88	08S45677W60	CAP, CER 102J-CH1H-CP	E13	23S55311W35	CAP, TAN 10R-1C-B -CP
C89	08S45676W85	CAP, CER 104K-B1C -CP	E15	23S55311W35	CAP, TAN 10R-1C-B -CP
C90	08S45676W85	CAP, CER 104K-B1C -CP	E16	23S55311W26	CAP, TAN 10R-1A-A -CP
C91	08S45676W73	CAP, CER. 103K-B1H -CP	E17	23S55311W26	CAP, TAN 10R-1A-A -CP
C92	08S45676W73	CAP, CER. 103K-B1H -CP	E18	23S55311W26	CAP, TAN 10R-1A-A -CP
C93	08S45676W73	CAP, CER. 103K-B1H -CP	E19	23S55311W26	CAP, TAN 10R-1A-A -CP
C94	08S45677W48	CAP, CER. 331J-CH1H-CP	E20	23S55311W28	CAP, TAN 22R-1A-B -CP
C95	08S45676W85	CAP, CER 104K-B1C -CP	E21	23S55311W26	CAP, TAN 10R-1A-A -CP
C96	08S45676W68	CAP, CER. 392K-B1H -CP	E23	23S55311W57	CAP, TAN 22R-1E-E -E2
C97	08S45677W44	CAP, CER. 221J-CH1H-CP	E25	23S55311W27	CAP, TAN 47R-1A-C -E2
C99	08S45676W85	CAP, CER 104K-B1C -CP	E26	23S55311W57	CAP, TAN 22R-1E-E -E2
C100	08S45676W85	CAP, CER 104K-B1C -CP	E27	23S55311W29	CAP, TAN 47R-1A-B -CP
C101	08S35350Y05	CAP, CER 105K-B1A -CP	E28	23S55311W36	CAP, TAN 47R-1C-D -E2
C102	08S35350Y05	CAP, CER 105K-B1A -CP	E30	23S55311W35	CAP, TAN 10R-1C-B -CP
C103	08S45676W85	CAP, CER 104K-B1C -CP	E31	23S55311W57	CAP, TAN 22R-1E-E -E2
C200	08S45676W85	CAP, CER 104K-B1C -CP	E34	23S55311W47	CAP, TAN 22R-1D-C -E2
C201	08S45676W85	CAP, CER 104K-B1C -CP			
C202	08S45676W85	CAP, CER 104K-B1C -CP			
C203	08S45677W10	CAP, CER 8R0D-CH1H-CP			
C204	08S45676W85	CAP, CER 104K-B1C -CP			
C205	08S45676W85	CAP, CER 104K-B1C -CP			
C210	08S45677W10	CAP, CER 8R0D-CH1H-CP			
C211	08S45677W10	CAP, CER 8R0D-CH1H-CP			
C212	08S45676W85	CAP, CER 104K-B1C -CP			
C213	08S45676W85	CAP, CER 104K-B1C -CP			
C214	08S45676W85	CAP, CER 104K-B1C -CP			
C215	08S45676W85	CAP, CER 104K-B1C -CP			
C216	08S45676W85	CAP, CER 104K-B1C -CP			
C217	08S45676W85	CAP, CER 104K-B1C -CP			
C219	08S45676W85	CAP, CER 104K-B1C -CP			
C222	08S45676W85	CAP, CER 104K-B1C -CP			
C223	08S45676W85	CAP, CER 104K-B1C -CP			
			Resistors		
			R100	06S45674W33	RES, RK 101J 1/10 -CP
			R101	06S45674W33	RES, RK 101J 1/10 -CP
			R102	06S45674W33	RES, RK 101J 1/10 -CP
			R104	06S45674W33	RES, RK 101J 1/10 -CP
			R105	06S45675W10	RES, RK 154J 1/10 -CP
			R106	06S45675W10	RES, RK 154J 1/10 -CP
			R107	06S15594Y02	RES, RK 154F 1/10 -CP
			R108	06S15593Y85	RES, RK 333F 1/10 -CP
			R109	06S15593Y81	RES, RK 223F 1/10 -CP
			R110	06S15593Y85	RES, RK 333F 1/10 -CP
			R111	06S15593Y81	RES, RK 223F 1/10 -CP
			R112	06S45674W81	RES, RK 103J 1/10 -CP

DVA-7996R

Symbol No.	Part No.	Description
R113	06S45674W81	RES, RK 103J 1/10 -CP
R114	06S45674W95	RES, RK 393J 1/10 -CP
R115	06S45674W57	RES, RK 102J 1/10 -CP
R116	06S45674W41	RES, RK 221J 1/10 -CP
R117	06S45674W57	RES, RK 102J 1/10 -CP
R118	06S45674W41	RES, RK 221J 1/10 -CP
R120	06S45674W45	RES, RK 331J 1/10 -CP
R121	06S45674W97	RES, RK 473J 1/10 -CP
R124	06S45675W14	RES, RK 224J 1/10 -CP
R125	06S45674W73	RES, RK 472J 1/10 -CP
R130	06S45674W97	RES, RK 473J 1/10 -CP
R131	06S45675W06	RES, RK 104J 1/10 -CP
R132	06S45674W75	RES, RK 562J 1/10 -CP
R133	06S45674W81	RES, RK 103J 1/10 -CP
R134	06S45675W43	RES, RK JUMPER1/10-CP
R144	06S45674W95	RES, RK 393J 1/10 -CP
R147	06S45674W81	RES, RK 103J 1/10 -CP
R148	06S45674W81	RES, RK 103J 1/10 -CP
R149	06S45674W81	RES, RK 103J 1/10 -CP
R150	06S45674W81	RES, RK 103J 1/10 -CP
R151	06S45674W81	RES, RK 103J 1/10 -CP
R152	06S45674W41	RES, RK 221J 1/10 -CP
R153	06S45674W95	RES, RK 393J 1/10 -CP
R156	06S45674W41	RES, RK 221J 1/10 -CP
R157	06S45674W89	RES, RK 223J 1/10 -CP
R161	06S45675W22	RES, RK 474J 1/10 -CP
R162	06S45675W24	RES, RK 564J 1/10 -CP
R165	06S45674W81	RES, RK 103J 1/10 -CP
R166	06S45674W81	RES, RK 103J 1/10 -CP
R167	06S45675W22	RES, RK 474J 1/10 -CP
R168	06S45674W73	RES, RK 472J 1/10 -CP
R169	06S45675W30	RES, RK 105J 1/10 -CP
R170	06S45674W43	RES, RK 271J 1/10 -CP
R171	06S45674W43	RES, RK 271J 1/10 -CP
R176	06S45674W49	RES, RK 471J 1/10 -CP
R177	06S45674W53	RES, RK 681J 1/10 -CP
R178	06S15593Y91	RES, RK 563F 1/10 -CP
R179	06S15593Y65	RES, RK 472F 1/10 -CP
R180	06S45674W33	RES, RK 101J 1/10 -CP
R181	06S45674W33	RES, RK 101J 1/10 -CP
R182	06S45674W57	RES, RK 102J 1/10 -CP
R183	06S45674W81	RES, RK 103J 1/10 -CP
R184	06S15593Y83	RES, RK 273F 1/10 -CP
R185	06S45674W33	RES, RK 101J 1/10 -CP
R186	06S45674W33	RES, RK 101J 1/10 -CP
R187	06S45674W57	RES, RK 102J 1/10 -CP
R188	06S45674W49	RES, RK 471J 1/10 -CP
R191	06S45674W50	RES, RK 511J 1/10 -CP
R192	06S45675W43	RES, RK JUMPER1/10-CP

Symbol No.	Part No.	Description
R193	06S45674W89	RES, RK 223J 1/10 -CP
R194	06S45674W89	RES, RK 223J 1/10 -CP
R195	06S45674W81	RES, RK 103J 1/10 -CP
R196	06S45674W89	RES, RK 223J 1/10 -CP
R197	06S45674W89	RES, RK 223J 1/10 -CP
R198	06S45674W81	RES, RK 103J 1/10 -CP
R199	06S45674W89	RES, RK 223J 1/10 -CP
R200	06S45674W97	RES, RK 473J 1/10 -CP
R201	06S45674W89	RES, RK 223J 1/10 -CP
R202	06S45674W81	RES, RK 103J 1/10 -CP
R205	06S45674W77	RES, RK 682J 1/10 -CP
R206	06S70072F90	RES, CP .1R0-J-1/4-CP
R207	06S45674W89	RES, RK 223J 1/10 -CP
R209	06S45674W81	RES, RK 103J 1/10 -CP
R210	06S45675W02	RES, RK 683J 1/10 -CP
R223	06S45674W57	RES, RK 102J 1/10 -CP
R224	06S70072F13	RES, CP .22R-J-1/4-CP
R225	06S70072F05	RES, CP .10R-J-1/4-CP
R226	06S70072F05	RES, CP .10R-J-1/4-CP
R228	06S45675W06	RES, RK 104J 1/10 -CP
R229	06S45674W57	RES, RK 102J 1/10 -CP
R230	06S70072F16	RES, CP .30R-J-1/4-CP
R231	06S70072F16	RES, CP .30R-J-1/4-CP
R232	06S70072F16	RES, CP .30R-J-1/4-CP
R233	06S45674W33	RES, RK 101J 1/10 -CP
R235	06S70072F90	RES, CP .1R0-J-1/4-CP
R236	06S45674W33	RES, RK 101J 1/10 -CP
R238	06S45674W97	RES, RK 473J 1/10 -CP
R240	06S45674W73	RES, RK 472J 1/10 -CP
R241	06S45674W73	RES, RK 472J 1/10 -CP
R242	06S45674W81	RES, RK 103J 1/10 -CP
R243	06S45674W57	RES, RK 102J 1/10 -CP
R245	06S45674W57	RES, RK 102J 1/10 -CP
R250	06S45674W89	RES, RK 223J 1/10 -CP
R251	06S45674W89	RES, RK 223J 1/10 -CP
R252	06S45674W89	RES, RK 223J 1/10 -CP
R253	06S45674W97	RES, RK 473J 1/10 -CP
R254	06S45674W97	RES, RK 473J 1/10 -CP
R280	06S45674W77	RES, RK 682J 1/10 -CP
R281	06S45674W73	RES, RK 472J 1/10 -CP
R282	06S45674W65	RES, RK 222J 1/10 -CP
R300	06S45674W57	RES, RK 102J 1/10 -CP
R301	06S15593Y87	RES, RK 393F 1/10 -CP
R302	06S15593Y77	RES, RK 153F 1/10 -CP
R304	06S45674W89	RES, RK 223J 1/10 -CP
R305	06S45674W89	RES, RK 223J 1/10 -CP
R306	06S45674W81	RES, RK 103J 1/10 -CP
R307	06S45674W41	RES, RK 221J 1/10 -CP
R308	06S45674W41	RES, RK 221J 1/10 -CP

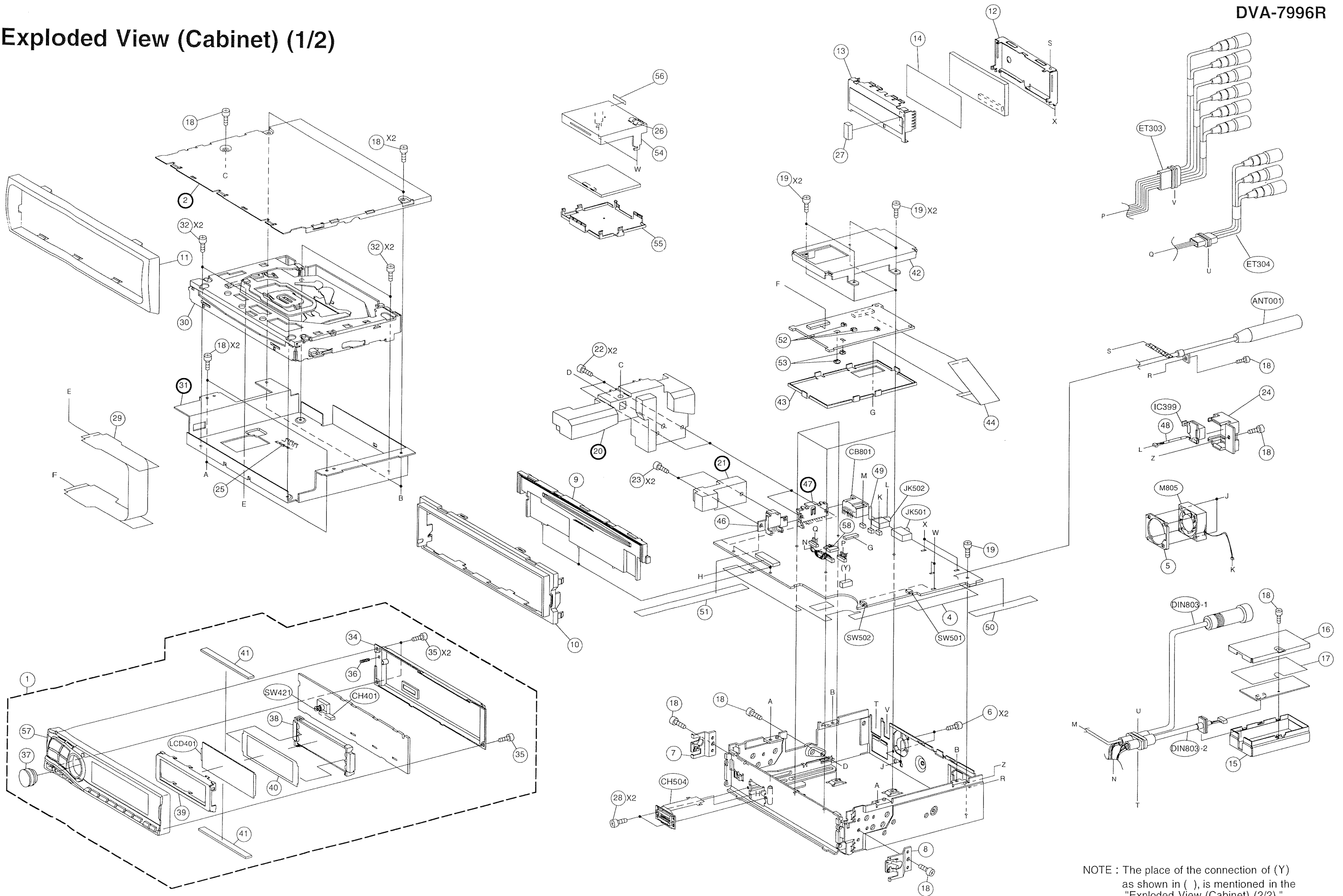
Symbol No.	Part No.	Description
R309	06S45674W41	RES, RK 221J 1/10 -CP
R310	06S45674W97	RES, RK 473J 1/10 -CP
R311	06S45674W33	RES, RK 101J 1/10 -CP
R313	06S45674W41	RES, RK 221J 1/10 -CP
R314	06S45674W41	RES, RK 221J 1/10 -CP
R315	06S45674W33	RES, RK 101J 1/10 -CP
R320	06S45674W75	RES, RK 562J 1/10 -CP
R322	06S45674W81	RES, RK 103J 1/10 -CP
R326	06S45674W33	RES, RK 101J 1/10 -CP
R327	06S45674W33	RES, RK 101J 1/10 -CP
R328	06S45674W17	RES, RK 22RJ 1/10 -CP
R329	06S45674W17	RES, RK 22RJ 1/10 -CP
R330	06S45674W97	RES, RK 473J 1/10 -CP
R331	06S45674W97	RES, RK 473J 1/10 -CP
R332	06S45674W97	RES, RK 473J 1/10 -CP
R333	06S45674W97	RES, RK 473J 1/10 -CP
R334	06S45674W97	RES, RK 473J 1/10 -CP
R335	06S45674W97	RES, RK 473J 1/10 -CP
R336	06S45674W97	RES, RK 473J 1/10 -CP
R337	06S45674W97	RES, RK 473J 1/10 -CP
R338	06S45674W97	RES, RK 473J 1/10 -CP
R339	06S45674W97	RES, RK 473J 1/10 -CP
R340	06S45674W97	RES, RK 473J 1/10 -CP
R341	06S45674W97	RES, RK 473J 1/10 -CP
R342	06S45674W97	RES, RK 473J 1/10 -CP
R343	06S45674W97	RES, RK 473J 1/10 -CP
R344	06S45674W97	RES, RK 473J 1/10 -CP
R345	06S45674W97	RES, RK 473J 1/10 -CP
R346	06S45674W97	RES, RK 473J 1/10 -CP
R349	06S45674W73	RES, RK 472J 1/10 -CP
R350	06S45674W97	RES, RK 473J 1/10 -CP
R352	06S15594Y02	RES, RK 154F 1/10 -CP
R353	06S15594Y02	RES, RK 154F 1/10 -CP
R355	06S45674W89	RES, RK 223J 1/10 -CP
R356	06S45674W97	RES, RK 473J 1/10 -CP
R360	06S45674W97	RES, RK 473J 1/10 -CP
R361	06S45674W41	RES, RK 221J 1/10 -CP
R363	06S45674W81	RES, RK 103J 1/10 -CP
R366	06S45675W43	RES, RK JUMPER1/10-CP
R367	06S45675W34	RES, RK 225J 1/10 -CP
R371	06S45674W97	RES, RK 473J 1/10 -CP
R372	06S45674W97	RES, RK 473J 1/10 -CP
R376	06S45674W81	RES, RK 103J 1/10 -CP
R377	06S45674W81	RES, RK 103J 1/10 -CP
RA2	06S45591W07	RES, ARY MNR101J 4-CP
RA3	06S45591W07	RES, ARY MNR101J 4-CP
RA4	06S45591W11	RES, ARY MNR22RJ 4-CP
RA5	06S45591W11	RES, ARY MNR22RJ 4-CP
RA6	06S45591W11	RES, ARY MNR22RJ 4-CP

Symbol No.	Part No.	Description
RA7	06S45591W11	RES, ARY MNR22RJ 4-CP
Connectors		
CB1	09T45442Y30	FFC, 54104-3092 -E0
CB6	09T45442Y50	FFC, 54104-5092 -E0
CB10	09T15107Y16	FFC, 52745-1690 -E9
CB11	09T15108Y20	FFC, 52746-2090 -E9
DV-LED P.W. Board		
LED' s		
LD501	48T16057W03	LED, AN501-A. B
LD502	48T16057W03	LED, AN501-A. B
LD503	48T16057W03	LED, AN501-A. B
Capacitors		
C501	08S45677W42	CAP, CER. 181J-CH1H-CP
C502	08S45677W42	CAP, CER. 181J-CH1H-CP
C503	08S45677W42	CAP, CER. 181J-CH1H-CP
Resistors		
R501	06S64995F43	RES, RK 391J 1/8 -CP
R502	06S64995F43	RES, RK 391J 1/8 -CP
R503	06S64995F43	RES, RK 391J 1/8 -CP
DV-Switch P.W. Board		
Resistor		
R506	06S64996F39	RES, RK JUMPER 1/8-CP
Miscellaneous		
ANT001	01T35726Y04	ASSY, ANT CABLE 7899
CB801	09T55175W16	CON, 53377-1620
CH401	09T25444Y15	BTB, 55323-1511 -B

DVA-7996R

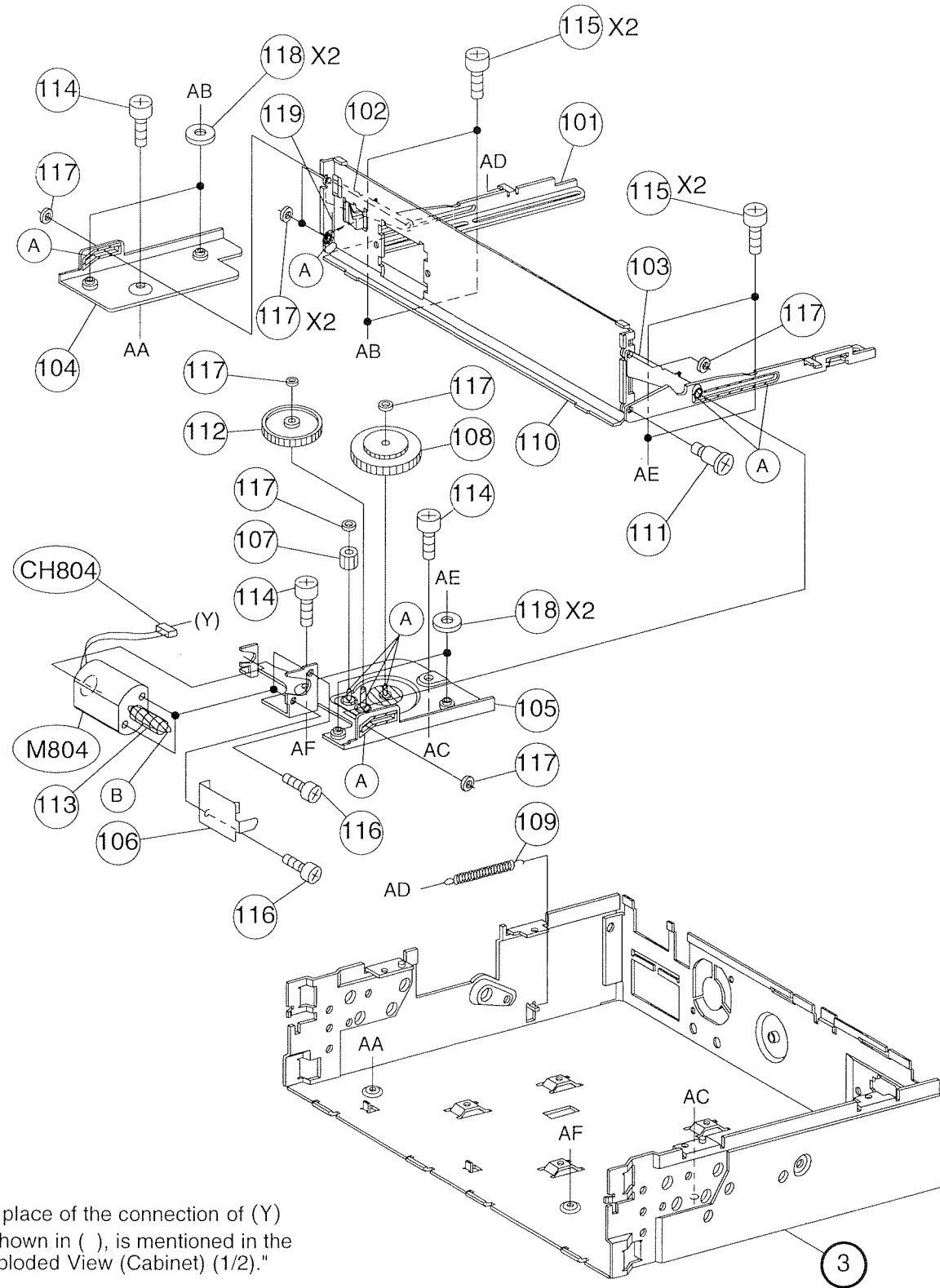
Symbol No.	Part No.	Description	Symbol No.	Part No.	Description
CH504	01T55421Y02	ASSY, UNIZON CONN 99J			
CH804	01T25413Y01	ASSY, CONN 2P			
DIN803	01T35496Y10	ASSY, DIN 7899			
ET303	01T35497Y24	ASSY, RCA 7899			
ET304	01T45494Y02	(FRONT OUT/REAR OUT/SUB-W) ASSY, RCA REAR-E(AUX-OUT)			
IC399	51T75111W01	TOTX193 -DS (OPTICAL D-OUT)			
JK501	09T55293Y01	JAC, HSJ6061-01-440DB (Steering Remote)			
JK502	09T75358W02	JAC, HSJ1102-01-520DB (External Remote)			
LCD401	65T55335Y02	LCD, NTD-21096			
M804	59T65085W01	MOTOR, LOAD FF-050SK (NOSE MOTOR/7V-370mA)			
M805	59T55190Y05	MOTOR, F3010CU-12PCV (FAN MOTOR/12V-80mA)			
SW421	40T55277Y03	ENC, EC11E15445 -B (ROTARY ENCODER/MODE/O. S.)			
SW501	40T15494Y01	SW, DETCT SPVG23 -E6 (NOSE CLOSE DET)			
SW502	40T15494Y02	SW, DETCT SPVG13 -E6 (NOSE OPEN DET)			
DV36T02B					
HD1	88T55031Y02	PICK, TPU3011A-T			
M1	01V56600Y63	ASSY, MOTOR SPINDLE (VM:4V, VCC:5V-140mA)			
M2	01V34900Y73	ASSY, MOTOR LOAD (5V-290mA)			
M3	01V36200Y60	ASSY, MOTOR SLED (5V-290mA)			
SW1	40T15494Y02	SW, DETCT SPVG13 -E6 (DISC CHUCKING END)			
SW2	40T15494Y01	SW, DETCT SPVG23 -E6(LIMIT)			

Exploded View (Cabinet) (1/2)




NOTE : The place of the connection of (Y) as shown in (), is mentioned in the "Exploded View (Cabinet) (2/2)."

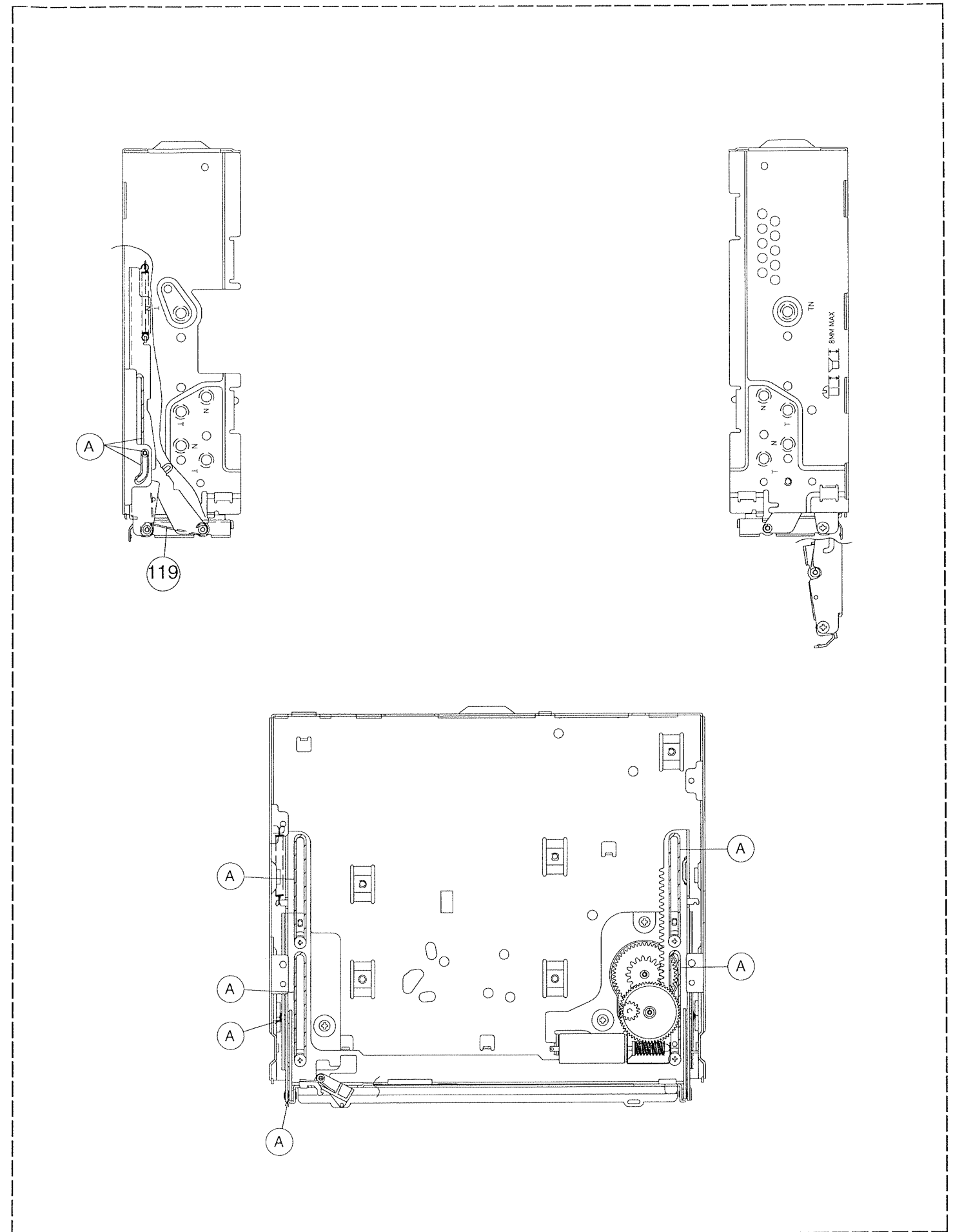
Exploded View (Cabinet) (2/2)



NOTE : The place of the connection of (Y) as shown in (), is mentioned in the "Exploded View (Cabinet) (1/2)."

point of GREASE applied.

(A)	GREASE, E-PASTE (11S42419J09)
(B)	GREASE, G-8007 (11S41558Y01)



Cabinet Assembly Parts List

NOTE: The part that has not PART NUMBER will not be supplied.

Symbol No.	Index	Part No.	Description	Symbol No.	Index	Part No.	Description
1		01V54220Y64	ASSY. NOSE/DSP-U7899R	49		29C41045P06	LUG. BOARD-IN 50MM
2		-----	COVER. TOP	50		14S31545Y16	INS. CVR 59X8XT0. 1
3		-----	CHAS. BASE	51		14S31545Y17	INS. CVR 100X8XT0. 1
4		14B51555Y01	INSULATOR. MAIN	52		29T45687Y01	CONTACT. OG363050
5		07A10154Y02	BKT. FAN	53		29T45687Y02	OG-363040
6		03S94385F91	SCR. NYLOK M2X14	54		15C51193Y01	SHIELD. DSP TOP
7		07D91595W01	BKT. SIDE ASSY	55		15C51194Y01	SHIELD. DSP BOTTOM
8		07D91595W02	BKT. SIDE (R) ASSY	56		30A41363Y01	SHIELD. EARTH TA 30
9		13B41611Y01	NOSE. BASE ASSY	57		13C02346K02	NOSE. PIECE ASSY
10		13D21372Y01	NOSE. BASE COVER	58		36A70327W01	KNOB. SLIDE
11		33C50062Y01	FACE. PLATE	101		07B50045Y01	BKT. SLIDER
12		15C50755Y01	CASE. SHIELD (A)	102		07A01754K01	BKT. ARM (L)
13		15C50756Y01	CASE. SHIELD (B)	103		07A01754K02	BKT. ARM (R)
14		14A50785Y01	INSULATOR. TUNER	104		07A50046Y01	BKT. BASE L
15		15C11509Y01	CASE. DC-DC	105		07C50047Y01	BKT. BASE R
16		15B11508Y01	COVER. DC-DC	106		41A50048Y01	SPRING. WORM
17		14A20122Y01	INSULATOR. DC-DC	107		44A50049Y01	GEAR. ID
18		03S44205G29	SCR. T-TITE M2. 6X6	108		44A50050Y01	GEAR. SLIDER
19		03T25225Y01	SCR. GND	109		41A50060Y01	SPRING. SLIDE
20		-----	HEAT. SINK L	110		01C21375Y04	ASSY. BKT F BASE
21		-----	HEAT. SINK S	111		03A20851Y02	SCR. SLIDER
22		03S38013W02	SCR. T-TITE M2. 6X14	112		44T25192Y01	GEAR. CLUTCH ASSY
23		03S44205G61	SCREW. TAPTITE	113		44A90467W02	GEAR. WORM
24		15B71937W01	COVER. CONN. D-OUT	114		03S94385F13	SCR. NYLOK M2. 6X3
25		41T15030Y03	SPRING. SHIELD (3P)	115		03S94385F25	SCREW. NYLOK
26		41T15030Y04	SPR. 97-520-02-02	116		03S68259F23	SCR. P-LOCK M2X3
27		75T25010Y54	CUSHION. SLD13-3. 5-30	117		04B41345P54	WASHER. LOCK
28		03S94385F77	SCR. NYLOK M1. 7X3	118		43A50493Y01	BUSH. SLIDER
29		84T35723Y01	FPC. F9Y298	119		41A50492Y01	SPRING. NOSE
30		81D60920Y01	DV36T02B. DVD MECH				
31		-----	BKT. CD				
32		03S44205G43	SCR. T-TITE M2. 6X4				
34		13D40822Y01	NOSE. BOTTOM				
35		03S68555F20	SCR. WAVE M1. 7X5				
36		41A50111W10	SPRING. KNOB				
37		36B50405Y04	KNOB. ROTARY ASSY				
38		15D50029Y01	CASE. LCD ASSY				
39		15B50030Y01	COVER. LCD				
40		26A41974Y01	REFLECTOR. SHEET				
41		75T85248W13	RUBBER. ELECTRIC				
42		15C50758Y01	SHIELD. BE TOP				
43		15C50759Y01	SHIELD. BE BOTTOM				
44		30T25328Y13	FFC. SML2CD-45X112				
46		07B50844Y01	BKT. TR				
47		-----	BKT. IC				
48		01T75451W21	ASSY. WIRE D-OUT 7899				

DVD Deck Mechanism Assembly Parts List

NOTE: The part that has not PART NUMBER will not be supplied.

Symbol No.	Index	Part No.	Description	Symbol No.	Index	Part No.	Description
1			CHASSIS, TOP	49		44A30954Y01	ARM, FRONT (L)
2			CHASSIS, BASE	50			ASSY, RIV. CHAS. D-L
3		41B31430Y01	SPRING, PULL	51		14A40520Y01	COVER, SLIDER-LD
4		41B31430Y02	SPRING, PULL	52		45A30882Y01	ARM, LINK (A)
5		41B31430Y03	SPRING, PULL	53		45A30883Y01	ARM, LINK (B)
6		41B31430Y04	SPRING, PULL	54		04B41345P24	WASH. 2. 1X5X0. 35
7		03S94385F19	SCR, NYLOK M2X2. 5	55		01A31151Y01	ASSY, RIV. ARM TIMING
8		75C31436Y03	DAMPER, DV-T	56		41A31432Y01	SPRING, SLIDER
9		75C31436Y02	DAMPER, DV-T	57		44B30944Y01	GEAR, (B)
10		07A40502Y01	BKT, SPRING NUT	58		44B30945Y01	GEAR, (C)
11		07C30910Y01	BKT, CHASSIS-B	59		44B30946Y01	GEAR, (D)
12		01A31147Y01	ASSY, RIV. LEV. CLP (B)	60		04B41345P12	WASH. L. 1. 7X3. 5X0. 35
13		03A41113Y01	SCR, MCH M1. 7X0. 35	61		01A31145Y01	ASSY, RIV. BKT. GEAR-E
14		45C30959Y01	SLIDER, LOCK (R)	62		44B30947Y01	GEAR, (E)
15		45C30960Y01	SLIDER, LOCK (L)	63		03S94385F07	SCR, NYLOK M2X2
16		41B31430Y09	SPRING, PULL	64		44B30948Y01	GEAR, (F)
17		04B41345P18	WASH. 1. 2X2. 5X0. 35	65		41B31430Y08	SPRING, PULL
19		03S38013W25	SCREW, T-TITE M2X4	67		84T35623Y01	FPC, MECH
20			ASSY, RIV CLAMP BASE	68		03A31494Y01	SCREW, DRIVE
22		15D30952Y01	GUIDE, TOP DVT	69		47A31437Y01	SHAFT, PICK
23		03S94385F28	SCR, NYLOK M1. 7X2	70		07B30988Y01	BKT, ADJUST
24		45A30962Y01	LEVER, ACTUATOR	71		41A31434Y01	SPRING, COMP-DRIVE
25		45B30961Y02	LEVER, STP-DISC	72		03A31102Y01	SCREW, ADJUST
26		45A30878Y01	LEVER, LOCK	73		41B30969Y01	SPRING, NUT
27		01A31152Y01	ASSY, RIV. LEVER DISC	74		03A40577Y01	SCREW, H2 M1. 7X3
28		43A31103Y01	BUSH, LEVER DISC	75		45B30957Y01	ARM, LOCK (R)
29		04B41345P14	WASH. L. 2. 1X4X0. 25	76		45B30958Y01	ARM, LOCK (L)
30		01B50605Y01	ASSY, RIV SLIDER CLP	77		07B30890Y01	COVER, SHAFT-MAIN
31		01A31150Y01	ASSY, RIV. HOLDER CLP	78		07B30891Y01	COVER, SHAFT-SUB
32		43B30963Y01	TABLE, CLAMPER	79		03S94385F88	SCR, NYLOK M2X2
33		07B30884Y01	PLATE, CLAMP	80		07B30872Y01	BKT, MOTOR LOAD
34		43A31157Y01	BUSH, ARM GUIDE	81		03S40014G97	SCR, MCH M1. 4X2. 5
35		03S94385F02	SCR, NYLOK M1. 7X3	82		01B31144Y01	ASSY, RIV. SLIDER LD
36		41B31430Y05	SPRING, PULL	83		44B30951Y01	RACK
37		41B31430Y06	SPRING, PULL	84		41A31433Y01	SPRING, COMP-LOAD
38		41B31430Y07	SPRING, PULL	85		30T15126W17	WIRE, PC JOINT 3P
39		41A31431Y01	SPRING, LEVER	86		07B30887Y01	BKT, MOTOR-SPDL
40		84T35622Y01	FPC, LED	87		07B30989Y01	COVER, MOTOR
41		01A31143Y01	ASSY, RIV. ARM GUIDE	88		07B30964Y01	BKT, SLED
42		47A31156Y01	SHAFT, ROLLER	89		41A30889Y01	SPRING, SHAFT
43		49A31435Y01	ROLLER, DV-T	90		01V36200Y58	ASSY, SHAFT SCREW
44		04S40075G09	WASH. 2. 6X4. 7X0. 25	91		44A30966Y01	GEAR, MIDDLE
45		43A30955Y01	BUSH, ROLLER (R)	92		44A30967Y01	GEAR, IDLER
46		43A30956Y01	BUSH, ROLLER (L)	93		03S40014G84	SCREW, MACHINE M2X6. 5
47		44A30949Y01	GEAR, (G)	94		14A31919Y01	INSULATOR, PWB (4)
48		44A30953Y01	ARM, FRONT (R)	95		14A31916Y01	INSULATOR, PWB (1)

Symbol No.	Index	Part No.	Description	Symbol No.	Index	Part No.	Description
96		14A31917Y01	INSULATOR, PWB (2)				
97		14A31918Y01	INSULATOR, PWB (3)				
98		04B41345P15	WASH. 1. 2X3. 5X0. 35				
99		04A40504Y02	WASHER, 1. 5X3X0. 3				
101		07A41797Y01	BKT, STOPPER DISC (F)				
102		43A41839Y01	ROLLER, STP-DISC				
103		03S94385F01	SCR, NYLOK M1. 7X2. 3				
104		41B50301Y01	SPRING, SLIDER (RR)				
105		41B50302Y01	SPRING, SLIDER (RF)				
106		41B50303Y01	SPRING, LEVER LOCK				
107		04B41345P27	WASH. L. 1. 7X4. 6X0. 5				
108		41A50515Y01	SPRING, SLIDER CLAMP				

Exploded View (DVD Deck Mechanism)

(DV36T02B)

